

EQ Range



Intertek
5014727

Conforms to UL STD 507
Certified to CSA STD C22.2#113

GB	Installation, operation and maintenance manual.....	2
F	Manuel pour l'installation, l'utilisation et la maintenance.....	16
E	Manual de instalación, uso y mantenimiento.....	30



REFRESH[®]
F a n s inc.

Efficient. Effective. Essential.

EQ RANGE

High Volume Low Speed Fan (HVLS)

INDEX

1. GENERAL INFORMATION.....	2
2. GENERAL SAFETY WARNING.....	3
3. TRANSPORT, ACCEPTANCE AND STORAGE.....	3
4. INSTALLATION AND START-UP.....	4
5. MAINTENANCE AND CLEANING.....	5
6. STOP.....	5
7. DISMOUNT.....	6
8. DISPOSAL.....	6
9. OPERATING PROBLEMS.....	6
10. TECHNICAL SPECIFICATIONS, INSTALLATION AND OPERATION.....	7
10.1 TYPE.....	7
10.2 MAIN FEATURES.....	7
10.3 FAN DATA.....	7
10.4 DIMENSIONS.....	7
10.5 FAN COMPONENTS.....	8
10.6 SPECIAL PRECAUTIONS.....	8
10.7 INSTALLATION.....	8
10.8 WIRING DIAGRAM.....	11
10.9 FIRE CONNECTION.....	12
10.10 MODBUS CONTROL CONNECTION.....	13
10.11 CLEANING.....	13
10.12 TROUBLESHOOTING.....	13
10.13 DECLARATION OF CONFORMITY/INCORPORATION.....	15

1. GENERAL INFORMATION

Carefully read the instructions contained in this manual.

Special attention should be paid to the sections following the wording **WARNING** as, if not complied with, can cause injuries to people and/or damages to the fan.

NOTE: store the manual for future reference. We reserve the right to improve and make changes to the manual, products and accessories without any obligation to update previous productions and manuals.

SCOPE AND RELEVANCE OF THIS MANUAL

This manual, produced by the manufacturer, is an integral part of the fans; as such, the manual must always be kept with the fan until the fan is scrapped and it must be easily available for its quick consultation both by installers and users. Should the machine be sold, the manual must be given to the new owner as an integral part of the fan. Before starting any operation with or on the fan, it is compulsory for the staff involved to carefully read this manual. Should this manual go missing, get damaged or partly illegible, a new copy must be requested to the approved retailer, or directly to the manufacturer, and it must be checked that the date of the change is earlier than the date of purchase of the machine. This manual has been produced in order to ensure a safe installation and use of the fans and it contains safety warnings and information to avoid accidents at work; therefore, the instructions it contains must be fully and strictly applied. Furthermore, these instructions do not represent the only procedures to be followed to ensure safety; each operation carried out on moving and/or live parts such as installation and maintenance operations requires special care to be taken, and must be carried out only by qualified and suitably trained staff. The safety regulations enforced by current standards must be strictly adhered to by all the operators of the machine.

NOTE: qualified staff is regarded as staff who has a specific technical knowledge in aerualic and electric system components.

WARNING: the fans can be used to handle flow of clean or slightly dusty air (unless otherwise stated), adhering to the operating conditions shown in this manual.

2. GENERAL SAFETY WARNINGS

In order to prevent SERIOUS INJURY or DEATH, and DAMAGE TO THINGS, it is necessary to read, understand and follow the warnings and instructions contained in this manual before installing, using and maintaining the fan.

The fan must be installed directly to the supporting structure of the building, after making sure that the structure itself is able to withstand at least double of the weight of the complete fan.

The minimum height from the ground and the distance from walkways, mezzanine or any other structure crossed by people or animals must not be less than 10ft (3.05m) from the base of the fan.

During installation, it is necessary to forbid the presence of people and animals from an area below with diameter not less than 1.5 times the diameter of fan.

Always connect the safety cable and stabilizer cables as instructed. The lack of proper use and installation of these devices excludes the warranty of the product. Do not proceed with commissioning without having manually verified the free rotation of the impeller.

RISKS CAUSED BY IMPROPER USES

Do not insert your hands or other parts of the body near moving parts. Consequences: COLLISION with SERIOUS INJURY or DEATH.

Do not use the fan in environments different from those specified. Consequences: DAMAGE TO PEOPLE or ANIMALS and/or FAN MALFUNCTION.

Unauthorized operators are not allowed to carry out any kind of operation on the fan. Consequences: FAN MALFUNCTION with DANGER FOR HUMAN AND ANIMAL HEALTH/SAFETY.

FAN INHERENT RISKS

Dragging by moving parts.

Violent ejection of objects.

Risk of burns or scalding caused by very hot surfaces of the fan.

Risk of breakages from high levels of vibration.

RISKS DURING MAINTENANCE

Carry out a routine maintenance plan to avoid structural subsidence and mechanical/electrical faults over time.

When cleaning the impeller, even with the power supply disconnected, the impeller could still move by inertia or by natural or forced air currents coming from the other equipment connected to the same system: there is therefore a serious risk of shearing and/or pinching. For this reason, the impeller must be mechanically locked.

It is strictly forbidden:

- to work on the fan whilst in operation.
- to work on the fan without disconnecting the power supply.

NOISE

The fan noise levels are stated in dB(A) and are shown in this manual.

NOTE: These values were detected under standard laboratory conditions. Different values could be detected in the installation conditions, due to environmental reverberation.

MECHANICAL RISKS

The installation of the fan, its operation and purpose involve mechanical risks, which can be resolved with the correct installation and use.

Maintenance operations must be carried out in safe conditions by isolating the fan from the power supply in a certain and not accidentally restorable way, using only qualified, informed and trained personnel.

3. TRANSPORT, ACCEPTANCE AND STORAGE

All fans are packaged in wood boxes or fixed on pallets for ease of transport. The manufacturer shall be responsible only up to the time of loading. Transport must be carried out in total safety; the hauler is therefore responsible for suitably securing the load. The fan should be moved by using suitable equipment, as prescribed by health & safety governing bodies in the jurisdiction of the installation.

In case of transport with severe environmental conditions (e.g. transport with material exposed to atmospheric agents, via ship or on uneven routes), the conditions must be agreed with Refresh Fans Inc. in advance, under penalty of voiding the manufacturer warranty. **WARNING:** Stacking or applying loads onto the fans is strictly forbidden.

STORAGE

Environments containing corrosive substances, however slight, must be avoided, with relative humidity higher than 60%.
Avoid exposure to atmospheric agents.
Avoid long warehouse stock time, in presence of prolonged vibrations.
Avoid the fan from being subject to knocks, which could damage it.

4. INSTALLATION AND START-UP

INSTALLATION

WARNING: Installation by unqualified, untrained, uninformed personnel and without adequate safety devices is prohibited. Provide adequate space to perform assembly operations, define and prohibit non-workers and animals. Consider an area with the diameter of at least 1.5 times the fan diameter below the installation place.

Start by removing the fan from its packaging using lifting equipment suitable for the fan weight and size, picking it up by the appropriate lifting points, using slings of suitable capacity, length and quantity, distributing load evenly.

Do not lift the fan using the motor haft as a picking point.

The weight of each individual fan is stated below.

Check that the blades have not been knocked or deformed during transport, is securely fixed to its rotation shaft, is able to freely turn around its axis and that no foreign body is interfering with the impeller operation.

Provide the fixing point for the fan directly to the supporting structure of the building, after making sure that the structure itself is able to withstand at least double of the weight of the complete fan.

When installing the fan on steel structures, it is essential to ensure that these structures have a natural minimum frequency higher than 50% of the fan speed.

The minimum height from the ground, and the distance from the gangway, mezzanine or any other structure crossed by people or animals must not be less than 10ft (3.05m).

Securely fix the fan by inserting screws with suitable diameter and correctly tightened (galvanised screws class 4.8 e 8.8), in all the fixing holes provided. During installation it is necessary to delimit and prohibit people and animals from an area below with diameter not less than 1.5 times the diameter of the fan. Always connect the safety cable and stabilizer cables as instructed.

WARNING: it is mandatory for the installer to carry out the electrical connection and the assembly of the fan in compliance with the regulations in force at the place of installation.

ELECTRICAL CONNECTION

WARNING: The electrical connection must be carried out by qualified, trained and instructed personnel who are adequately equipped with protection devices.

Check that the power voltage values printed on the motor nameplate match with the data on the power line it is connected to. To connect the motor, refer to the electrical diagram included in this manual.

The user must electrically connect the fan to earth: a correct grounding of the motor and the controlled machine avoids tensions and eddy currents in the bearings.

Select the safety system and the power cables (voltage reduction during the start-up stage must be less than 3%) according to the technical features printed on the motor nameplate.

WARNING: it is necessary to place an ON/OFF disconnect safety switch adjacent to the fan, to allow maintenance personnel to have direct control over the power supply of the fan. This accessory can be supplied upon request.

START-UP

WARNING: the start-up procedure must be carried out by qualified, trained and instructed personnel who are adequately equipped with protection devices.

****** Important Operation Note ******

**Motor may lose synchronization if all fan blades are not connected to motor hub.
See Page 13 for Alarm Code / LED Status / Troubleshooting for more details.**

OPERATIONS TO CARRY OUT BEFORE START-UP:

- Check the tightness of all nuts and bolts:

RECOMMENDED BOLT TORQUE FOR COARSE THREADED METRIC STEEL BOLTS TE-TCEI GRADE 8.8

Dimensions	Nm
M6	9,5
M8	23
M10	46
M12	79
M14	127
M16	198

Table 1 Use the values shown in the table to tighten all the screws supplied.

- Check that the fan blade turns freely by turning it manually.
- Check the fan connections to the control panels and/or interfaces.
- Check the connection of the fan to the protective ground circuit of the system, and the effective connections of all its parts before starting the machine.
- Take note of the desired rotation direction.

OPERATIONS TO BE CARRIED OUT AFTER START-UP

Check that the direction of rotation matches with the direction previously noted and reported on the fan.

Check that the input current does not exceed the current shown on the product identification label and/or motor nameplate. NOTE: to have a reliable information, allow a reasonable period of stabilising time (3 hours at 18°C).

Check the bearing temperatures after the first 24/36 hours of operation, operating range of the bearings is the same as the motor.

During fan operation, there must not be any visible vibrations on the fixing bracket or stabilization cables. The alert value to be considered is 12.7mm/sec (peak value) - 9mm/sec (RMS), measured on the fixing bracket, rigidly fixed to the support, suitably sized as described in the previous steps.

5. MAINTENANCE AND CLEANING

WARNING: maintenance must be carried out by qualified, trained and instructed personnel who are adequately equipped with protection devices. Maintenance operations of fans are relatively simple, but they still require routine operations aimed to maintain their efficiency of all their components and to avoid damages which would negatively affect their good working order and people's safety. The interval of maintenance operations depends on the fan effective operating conditions. In ideal and continuous operating conditions, it is advisable to subject the fan to a maintenance operation every 2200 hours.

The cleaning of the blades must be accurate, so as not to create imbalances due to dirt residues.

Clean the dust that is deposited on the electric motor, thus preserving the heat dissipation capacity during operation.

Bearing lubrication is not required. The motor is equipped with self-lubricating bearings, maintenance-free for lifetime. Their life varies according to the actual operating conditions (number of start-ups etc.) and the operating ambient conditions (temperature, presence of dust etc.). Bearings are conceived to guarantee at least 50000hrs of operation in ideal use conditions.

Check the integrity and tightening of bolts (galvanized, metric, coarse pitch, class 4.8 and 8.8). In case of oxidation, replace with spare parts having the same features. Before starting the fan, make sure no metal foreign bodies are left inside the fan body.

Repeat the required operations before and after start-up (chapter 4. INSTALLATION).

6. STOP

WARNING: stop procedure must be carried out by qualified, trained and instructed personnel who are adequately equipped with protection devices.

MAKING THE MACHINE SAFE

- provide suitable lighting for the area around the machine (by giving the operators electrical lights).
- make sure the machine is disconnected from all power supplies.
- make sure all moving parts have come to a full stop.
- wait until the external temperature of the machine has reached a value which is not too hot to the touch.
- mechanically lock up all moving parts.

7. DISMOUNT

WARNING: dismount procedure must be carried out by qualified, trained and instructed personnel who are adequately equipped with protection devices.

Proceed to the mounting operations (reported in the technical sheet) in the opposite direction, implementing all safety procedures described in chapter 5. INSTALLATION.

8. DISPOSAL

When the fan reaches the end of its life, the final user or whoever acts on his behalf must correctly dispose of it in authorized sites, conceived to receive electro-mechanical industrial products.

Otherwise it is necessary to carry out some operations before giving the materials to the authorized sites or ecological islands:

- separate the electrical components from the mechanical components.
- separate different materials such as plastics, steel, copper etc...

Dispersing materials to the environment or to unauthorized sites is a criminal offense, prosecuted by the competent authorities.

9. OPERATING PROBLEMS

Bear in mind that, if a Refresh Fans Inc. system is not working, there may be more than one cause. All causes must be identified and systematically removed.

ANOMALY	POSSIBLE CAUSE	SOLUTION
Fan doesn't start	Mechanical lock	- After switching off electric power supply, manually check that the impeller rotates freely.
	Lack of power supply	- Check the status of the power supply protection device. - Check the correct connection of the motor to the power grid.
	Thermal protection	- The intervention of the thermal protection prevents the fan from restarting. The cause must be eliminated. Decrease the load.
	Motor parameter settings	- In the case of fan control via MODBUS, check the registers/ parameters.
Motor with abnormal noise	The cause is mechanical if the noise persists even after power supply has been switched off.	- Mechanical noise can be caused by vibrations due to unbalance of the rotating parts and/or damaged bearings. In both cases, it is necessary to contact qualified personnel to properly repair or replace the parts.
	The cause is electrical if the noise disappears after power supply has been switched off.	- Check the correct connection and tightening of the supply cables. - If MODBUS interface is present, check the motor parameters.
Abnormal motor overtemperature	Incompatible ambient temperature	- Compare ambient temperature with the maximum allowed temperature, reported in the technical sheet.
	MODBUS motor parameters setting	- Check that the MODBUS motor parameters are correctly set.
	Power supply	- Check for voltage drops and/or supply line defects.

10. TECHNICAL SPECIFICATIONS, INSTALLATION AND OPERATION

10.1 TYPE

High efficiency EC brushless motor ceiling fans specifically designed for industrial, civil and agricultural applications where high air volume and low rotation speed are needed.

10.2 MAIN FEATURES

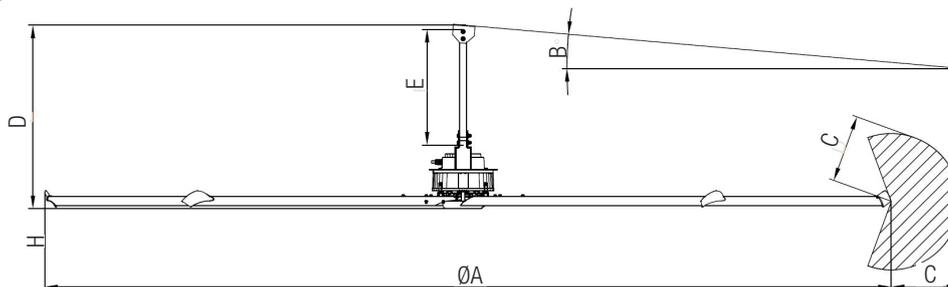
- Brushless motor 200-480Vac, 3ph, 50/60Hz, IP65.
- Max temperature +50°C.
- Speed controllable.
- Suitable for S1 continuous service.
- Embedded system.
- Anodized extruded blades.
- Gearless for silent operation.
- Maintenance-free.
- Key Safety features.
- Simplified electrical wiring connection.
- Strong and robust design and manufacturing.

10.3 FAN DATA @240V, 60Hz supply, max speed

FAN	Diameter (A)	Minimum Circuit Size	Weight	Airfoil clearance on sides (C)	Max speed	Max affected diameter	Sound at max speed ⁽¹⁾
	ft (m)		lb (kg)	ft (m)	RPM	ft (m)	dB(A)
EQ10-200480-3	10 (3.1)	10A@200-240V, 3Φ 10A@400-480V, 3Φ	176 (80)	1.2 (0.35)	130	98 (30)	55
EQ12-200480-3	12 (3.7)		194 (88)	1.5 (0.45)	85	117 (36)	52
EQ14-200480-3	14 (4.3)		220 (100)	1.5 (0.45)	80	136 (41)	55
EQ16-200480-3	16 (4.9)		234 (106)	1.8 (0.55)	70	156 (48)	56
EQ18-200480-3	18 (5.5)		249 (113)	1.8 (0.55)	63	176 (54)	49
EQ20-200480-3	20 (6.1)		260 (118)	1.8 (0.55)	55	195 (59)	50
EQ24-200480-3	24 (7.3)		282 (128)	1.8 (0.55)	51	234 (71)	55

(1) Sound testing taken with the sensor 1.5m above the floor and 6m from the centre of the fan at 5m high, measured in a laboratory environment. Actual results in field conditions may vary due to sound reflecting surfaces and environmental conditions.

10.4 DIMENSIONS



FAN	ØA fan diameter	B max ceiling slope	C min safety distance from side obstruction	D fan height with 800mm downrod	E downrod length	H min fan installation height
	in. (mm)	°	in. (mm)	in. (mm)	in. (mm)	in. (mm)
EQ10-200480-3	120 (3050)	15	14 (350)	49 (1250)	32 (800)	120 (3050)
EQ12-200480-3	144 (3650)	15	18 (450)	49 (1250)	32 (800)	120 (3050)
EQ14-200480-3	168 (4250)	15	18 (450)	50 (1270)	32 (800)	120 (3050)
EQ16-200480-3	192 (4850)	15	22 (550)	50 (1270)	32 (800)	120 (3050)
EQ18-200480-3	216 (5450)	15	22 (550)	51 (1304)	32 (800)	120 (3050)
EQ20-200480-3	240 (6050)	15	22 (550)	51 (1304)	32 (800)	120 (3050)
EQ24-200480-3	288 (7300)	15	22 (550)	51 (1304)	32 (800)	120 (3050)

10.5 FAN COMPONENTS

The fan is delivered split into two kits, each one in its own crate:

MOTOR KIT, which includes:

- main body (Fig.I - 1).
 - extension tube of 800mm (Fig.I - 2).
 - 2x ceiling fixing brackets (Fig.I and VI - 3).
 - 2 fixings sets:
 - 4x M12 bolts (Fig.I - 4), 4x M12 locknuts (Fig.I - 5), 4x M12 standard washers (Fig.I - 6) and 4x M12 spring washers (Fig.I - 7) for fan fixing to the ceiling.
 - 10x M8 flange bolts (Fig.VIII - 8), 10x M8 locknuts (Fig.VIII - 9) and 10x M8 spring washers (Fig.VIII - 10) for blades fixing to main body.
 - plastic components set: hub cover (Fig.IX - 11), 5x M4 bolts (Fig.IX - 12), 5x plastic blade terminals (Fig.VIII - 13) and 10x screws (Fig.VIII - 14).
 - electric cables with plugs (Fig.III - 15).
 - security wires set: 1x Ø5mm security wire with one ring (Fig.I and II - 16), 2x Ø5mm wire with two rings (Fig.II - 17), 2x clamp (Fig.VII - 18) for the security wire, 2x 7mm snap-hook (Fig.II and V - 19), 1x shackle (Fig.II - 20) for the security wire, 4x Ø3mm stabilizing wires with turnbuckle (Fig.X - 21), 5x 5mm snap-hooks (Fig.X and XI - 22) and 8x clamp (Fig.XIII - 23) for the stabilizing wires.
- BLADES KIT, which includes 5x blades (Fig.VIII - 24).

10.6 WARNING: SPECIAL PRECAUTIONS

“WARNING - TO REDUCE THE RISK OF FIRE, ELECTRIC SHOCK, OR INJURY TO PERSONS, OBSERVE THE FOLLOWING”:

- **“Installation work and electrical wiring must be done by qualified person(s) in accordance with all applicable codes and standards, including fire-rated construction.”**
- **“When cutting or drilling into wall or ceiling, do not damage electrical wiring and other hidden utilities.”**
- **“To Reduce The Risk Of Personal Injury, Do Not Bend The Blade Brackets When Installing The Brackets, Balancing The Blades, Or Cleaning The Fan. Do Not Insert Foreign Objects In Between Rotating Fan Blades.”**
- **Be sure power is off before attempting installation**
- **After making the wire connections, the wires should be spread apart with the grounded conductor and the equipment-grounding conductor on one side of the outlet box and the ungrounded conductor on the other side of the outlet box.**

The installer and the building owner are responsible to ensure the safety of the fan mounting system and that the fan installation is correct, in compliance with any national and local regulations.

- **Fixing: check/inspect all the fixing annually and re-tighten as necessary (see table 1).**
- **Windy conditions: fans should not operate in case of strong wind (6m/s) and should not be installed in places where it is frequently windy.**
- **Weight: it is recommended that the building structure is capable to bear approx. twice the weight of the fan as well as a torque of at least 350Nm. A professional structural engineer should perform an evaluation before purchasing the fan.**
- **Key safety features: make sure that all the supplied key safety features are used to install the fan to provide a comprehensive protection of people, animals, equipment and property.**

**** Important Operation Note ****

**Motor may lose synchronization if all fan blades are not connected to motor hub.
See Page 13 for Alarm Code / LED Status / Troubleshooting for more details.**

10.7 INSTALLATION

- **Decide on the position the fan is to be installed keeping in consideration the following:**
 - the minimum distance from the floor to the lowest point of the fan is 10ft (3.05m - H size in the dimension drawing). As necessary a different length downrod can be supplied as accessory upon request;
 - the minimum distance from the fan blade to the side wall of similar obstruction is indicated in the dimension drawing (C size);
 - if possible avoid mounting the fan directly below lights to prevent any strobe effect caused by the moving blades;
 - in any installation where fire sprinklers are placed, fan should not interfere with their operation;
 - fan should not be placed near to supply air outlet or exhausting inlets of other HVAC equipment which could decrease the fan capacity and compromise the indoor air quality as well as the occupants' comfort:

- supply air outlet should deliver air away from the unit;
- exhaust fan inlets or other return air point which could create negative pressure should not be located within 1,5 times the fan diameter;
- when mounting the fan, mark the floor with a large crosshatched circle to alert people of the overhead fan location.

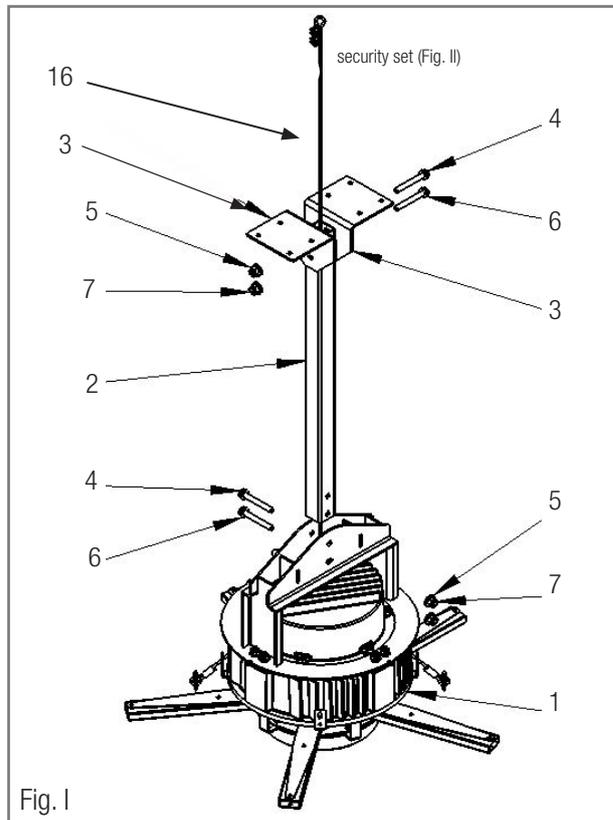


Fig. I

- Assemble the security set using the Ø5mm security wire (16), the shackle (20), the Ø5mm wires with rings (17) and the 7mm snap-hooks (19).
- Insert the Ø5mm security wire (16) and electric cables (15) into the downrod (2), fix the downrod to the main body (1) and to the brackets (3) by means of the M12 bolts (4), the M12 standard washers (6), the M12 spring washers (7) and the M12 locknuts (5). Connect the electric cable plugs to the motor.

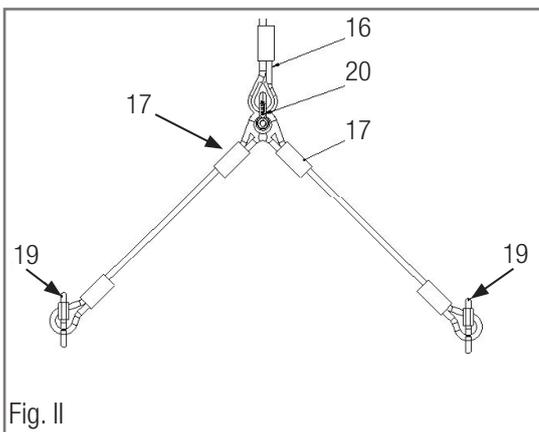


Fig. II

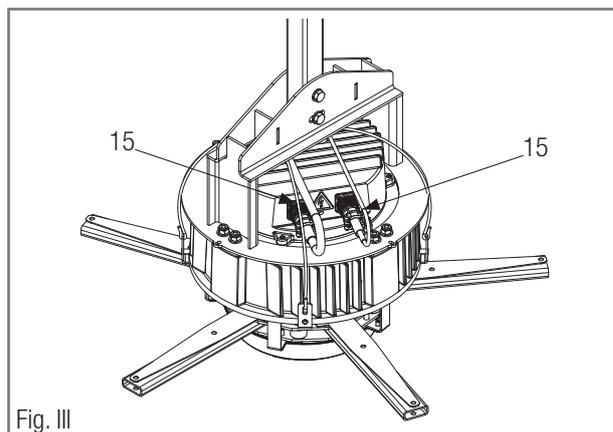


Fig. III

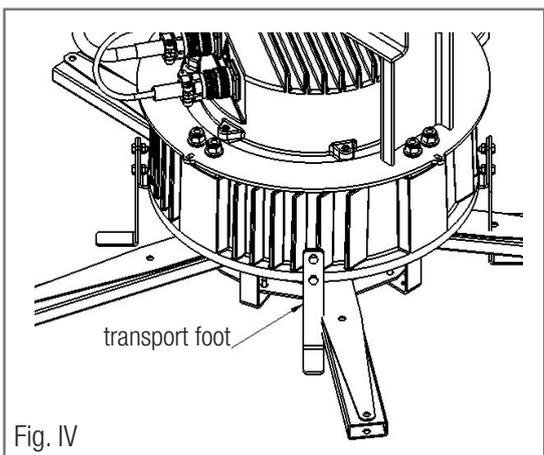


Fig. IV

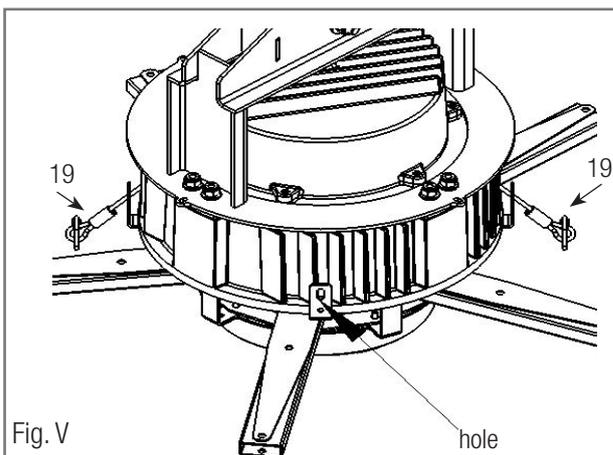
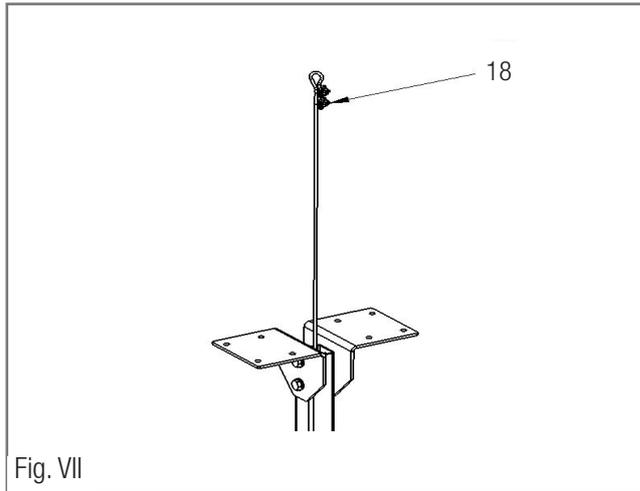
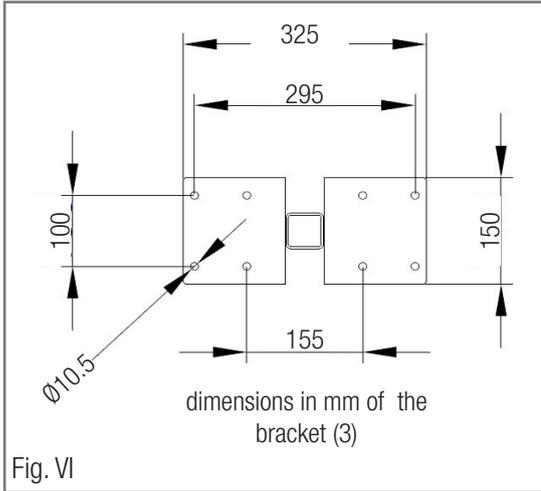
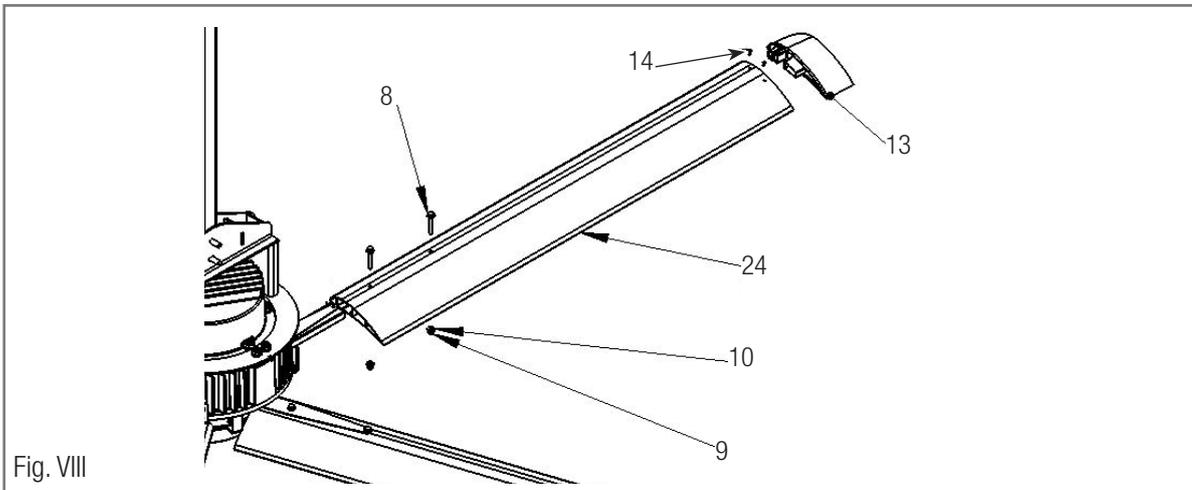


Fig. V

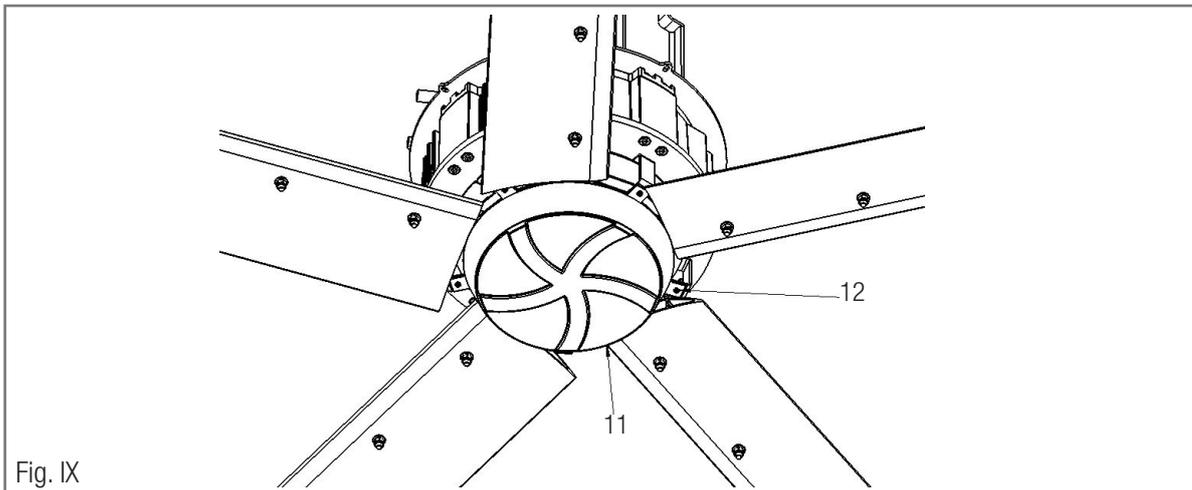
- Remove the four transport feet from the main body by unscrewing the bolts and hook the snap-hooks (19) of the security wire to two holes (one hole between the snap-hooks has to be free).



- Fix the assembly to the ceiling/beam through the 8 holes on the brackets (3); fix the security wire to the ceiling/beam using the clamps (18). Fixing screws/plugs are not supplied.



- Insert the blade (24) over the blade root, lock it with the M8 flange bolts (8), M8 spring washers (10) and M8 locknuts (9). Tighten the screws making reference to table 1. Mount the plastic terminal (13) using the relevant screws (14).



- Mount the plastic cover (11) under the hub using the M4 bolts (12). In case water is used for washing, drill a hole in the plastic cover for water drainage.

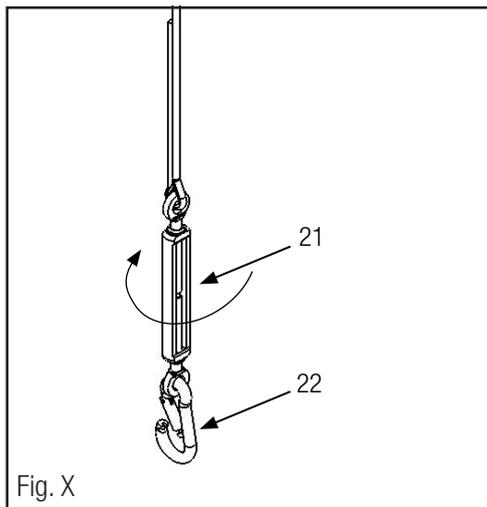


Fig. X

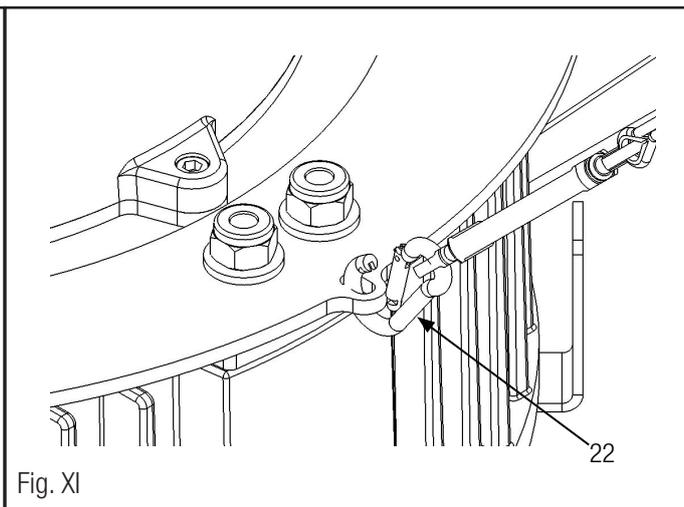


Fig. XI

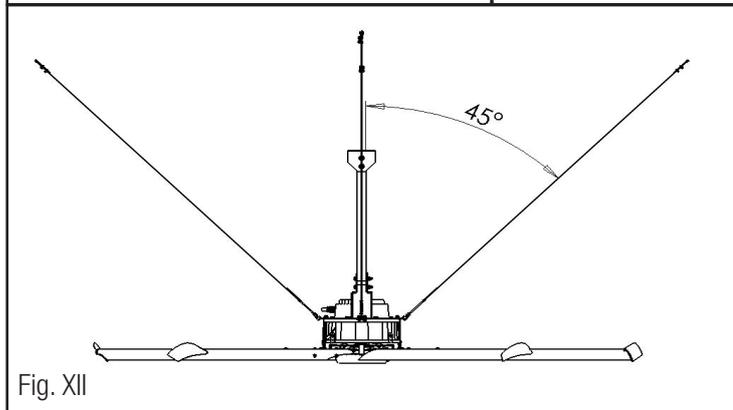


Fig. XII

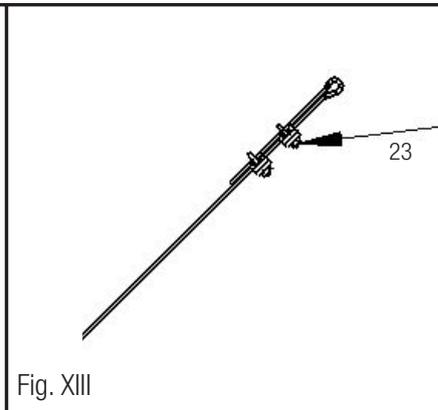


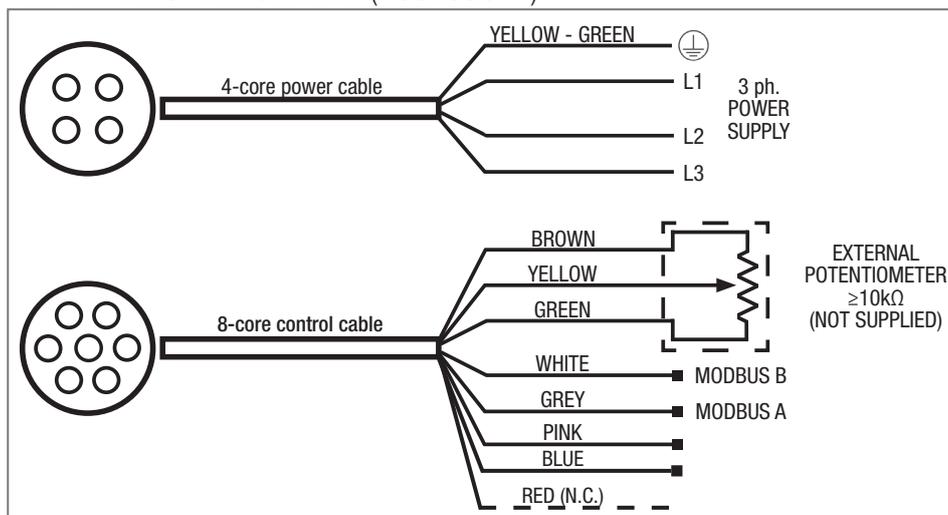
Fig. XIII

- Stabilize the fan with the 4x Ø3mm stabilizing wires (21) hooked with the 5mm snap-hook (22) to the motor support holes. Securely fix the other end of the stabilizing wires to the ceiling using the clamps (23). Wall plugs/screws not supplied;
- With the aid of a spirit level placed against the downrod, tighten the turnbuckles by hand (Fig.X) in a crisscross pattern. Periodically check that the fan works in the correct position.

10.8 WIRING DIAGRAMS

- Make sure that the mains supply to the unit is disconnected before performing any installation, service, maintenance or electrical work!
- The installation and service of the unit and complete ventilation system must be performed by an authorized installer and in accordance with local rules and regulations.
- Fan must be earthed.

EXTERNAL POTENTIOMETER (ACCESSORY)



WARNING: regardless of the control system in place (potentiometer or Modbus), it's strongly recommended to wire the Modbus communication line and make it accessible from ground level, in order to ease troubleshooting via Modbus anytime after the installation.

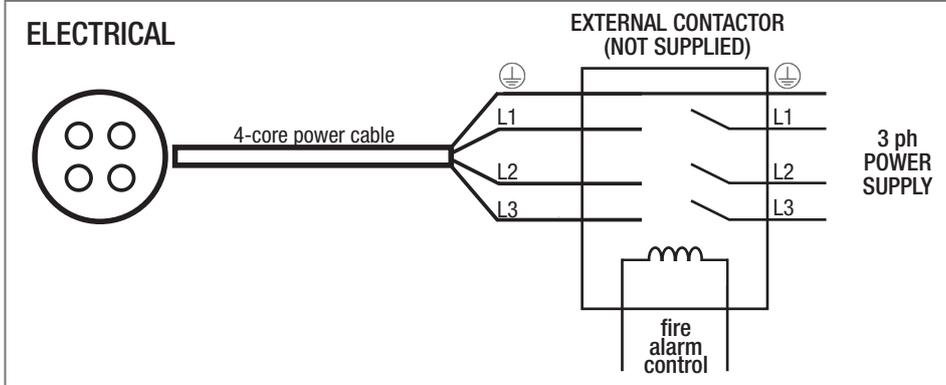
10.9 FIRE CONNECTION

Maximum allowable fan diameter of 24 feet.

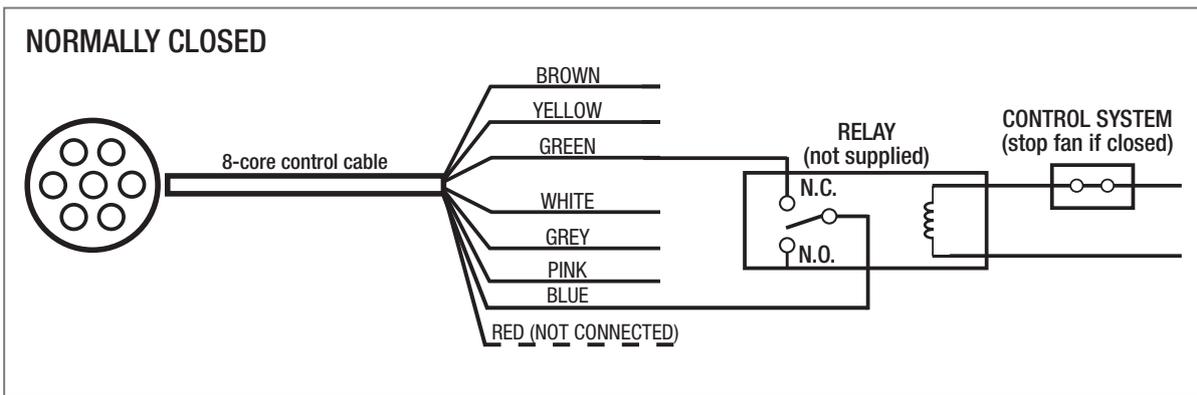
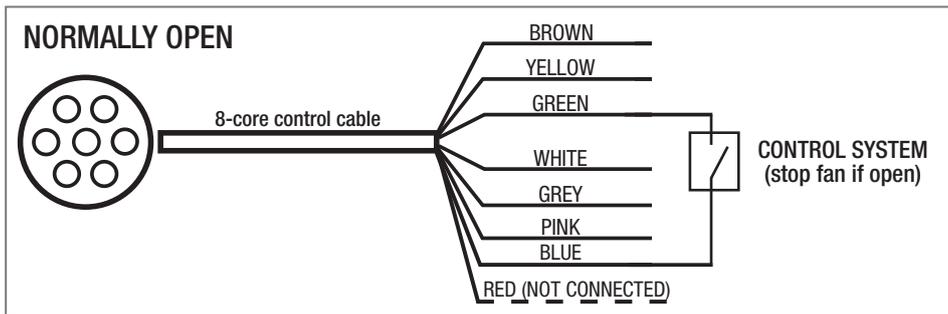
Fans must be approximately centered between four adjacent sprinklers.

There must be a 3 foot minimum clearance from the sprinkler deflector to the fan.

Fans must be interlocked to shut down immediately upon receiving a water flow signal from the fire alarm system.

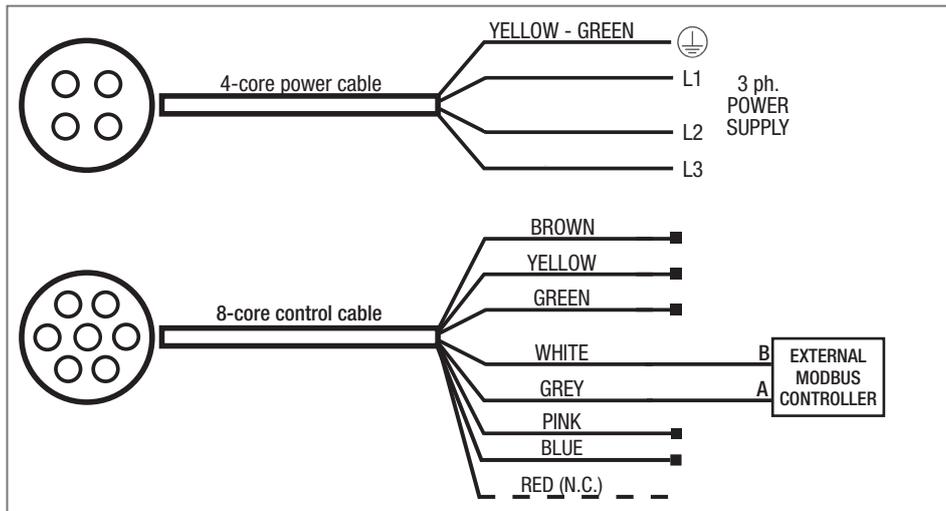


If the RUN INPUT function is enabled (see below - ModBus holding register 44), the unit runs only when blue wire is connected to green.



Register Address	Description	Dimension (Word)	Data Type	U.M. (data on the register)	Example Register value → Real value
44	RUN INPUT function	1	ushort	-	0 → RUN INPUT disabled (default) - 1 → RUN INPUT enabled

10.10 MODBUS CONTROL CONNECTION



10.11 CLEANING

The unit (IP65) can be washed with water jets.

10.12 TROUBLESHOOTING (ModBus)

Connection parameters

Protocol	MODBUS/RTU over RS485
Baud Rate (bps)	9600
Data bits	8
Parity bits	none
Stop bits	2
HVLS Slave Address	1

Modbus Registers - Input Register

These registers are READ-ONLY, and can be read using the function *04 READ INPUT REGISTERS*.

Register Address	Description	Dimension (Word)	Data Type	U.M. (data on the register)	Example Register value → Real value
3	Measured speed	1	ushort	0.1rpm	490 → 49rpm
10	Alarm 1	1	ushort	-	See next table
17	Alarm 2	1	ushort	-	See next table
33	Minutes Time Counter	1	ushort	Minutes	23 → 23 Minutes Start to Count when Motoinverter is On. Store lifetime data
34	Hours Time Counter	1	ushort	Hours	1234 → 1234 Hours Start to Count when Motoinverter is On. Store lifetime data



Alarm codes/LED status/Troubleshooting

ALARM 1 VALUE	ALARM 2 VALUE	LED BLINKS (single blink approx. duration)	ALARM DESCRIPTION POSSIBLE CAUSE	TROUBLESHOOTING
0	0	1 Blink/2sec (1s)	No error	-
1	0	1 Blink/s (0.5s)	Memory error – motor parameters lost	Contact manufacturer/technical support
2	0	2 Blink/s (0.25s)	Short circuit – electronics power module damaged	Board damaged – Contact manufacturer/technical support
3	0	3 Blink/s (0.17s)	Motor synchronization lost – wrong motor parameters or electronics damaged	Check motor windings. If motor windings OK (all 3 windings have same resistance), contact manufacturer/technical support. If motor windings damaged (open/short circuit), replace motor
4	1	5 Blink/s (0.1s)	Supply voltage out of range 135Vac±550Vac (DC bus voltage 190±780V) only with motor still - not running	Check power supply voltage / check power supply wiring
4	32	5 Blink/s	Supply voltage above 565Vac (DC bus voltage over 800V) during motor running (instantaneous value)	Check power supply voltage / check power supply wiring
4	33	5 Blink/s	Supply voltage below 107Vac (DC bus voltage below 150V) during motor running (instantaneous value)	Check power supply voltage / check power supply wiring
4	34	5 Blink/s	“Restart on the fly” failed	The drive couldn't catch the impeller – power cycle/retry
4	49	4 Blink/s (0.13s)	U phase voltage missing/disconnected (or wrong motor parameters)	Check power supply/wiring. If wiring OK, contact manufacturer/technical support
4	50	4 Blink/s	V phase voltage missing/disconnected (or wrong motor parameters)	Check power supply/wiring. If wiring OK, contact manufacturer/technical support
4	51	4 Blink/s	W phase voltage missing/disconnected (or wrong motor parameters)	Check power supply/wiring. If wiring OK, contact manufacturer/technical support
4	113	6 Blink/s (0.08s)	Electronics temperature over 85°C	Check if operating temperature is above rated maximum operating temperature. Check mechanical load for anomalies (e.g. difficult turning)
4	114	7 Blink/s (0.07s)	Motor windings temperature over 125°C	Check if operating temperature is above rated maximum operating temperature. Check mechanical load for anomalies (e.g. difficult turning)
4	115	no Blink	Short circuit on Pt100 motor temperature probe	Check temperature probe wiring – detects temperature probe malfunction

For additional information on HVLS ModBus control, contact the manufacturer/technical support.

10.13 DECLARATION OF CONFORMITY / INCORPORATION

UE DECLARATION OF CONFORMITY/INCORPORATION

Manufacturer:

REFRESH FANS Inc.

200 West Beaver Creek Road, Unit 15, Richmond Hill, ON - L4B 1C7, Canada

UE DECLARATION OF CONFORMITY



We herewith declare that the following range:

Refresh Fans EQ range of HVLS fans

on the basis of its design and construction as partly completed machines brought onto the market, is designed in compliance within relevant health and safety requirements of the following Directives:

2014/35/UE - Low Voltage Directive (LVD)

2014/30/UE – Electromagnetic Compatibility (EMC)

2009/125/EC – Energy Related Products (ErP)

in the event that alterations are made to the machinery without prior consent with the manufacturer, this declaration becomes invalid.

This declaration is issued under the sole responsibility of the manufacturer.

UE DECLARATION OF INCORPORATION

In accordance with the Machinery Directive 2006/42/EC.

We herewith declare that the following range:

Refresh Fans EQ range of HVLS fans

on the basis of its design and construction of partly completed machines, is designed in compliance with the Essential Health and Safety Requirements (EHSRs) of ANNEX I, sections 1.1.2 (Safety integration), 1.1.5 (Handling), 1.4.1 (Protective devices), 1.5.1 (Electricity) of **EC Machinery Directive 2006/42/EC**.

The machinery is incomplete and must not be put into service until such time as the machinery which is partly complete is to be incorporated and has been assessed and declared in conformity with the provisions of the Machinery Directive 2006/42/EC.

We undertake to transmit, upon reasoned request by appropriate national authorities, relevant information on the partly completed machinery identified above.

Richmond Hill, 01/03/2019

Paul Reeves
Managing Director



Canada: Refresh Fans Inc. - 200 West Beaver Creek Road, Unit 15, Richmond Hill, ON - L4B 1C7.
USA: Refresh Fans Inc. - 6601 Lyons Road, Unit H-3, Coconut Creek, FL - 33073.

EQ RANGE

Ventilateur grand volume et basse vitesse (HVLS)

SOMMAIRE

1. GÉNÉRALITÉS.....	15
2. CONSIGNES GÉNÉRALES DE SÉCURITÉ.....	16
3. TRANSPORT, ACCEPTATION ET STOCKAGE.....	17
4. INSTALLATION ET MISE EN MARCHÉ.....	17
5. MAINTENANCE ET NETTOYAGE.....	18
6. ARRÊT.....	19
7. DÉMONTAGE.....	19
8. DÉMANTÈLEMENT.....	19
9. ANOMALIES DE FONCTIONNEMENT.....	19
10. SPÉCIFICATIONS TECHNIQUES, INSTALLATION ET FONCTIONNEMENT.....	20
10.1 TYPE.....	20
10.2 CARACTÉRISTIQUES PRINCIPALES.....	20
10.3 DONNÉES.....	20
10.4 DIMENSIONS.....	20
10.5 COMPOSANTS.....	21
10.6 PRÉCAUTIONS SPÉCIALES.....	21
10.7 INSTALLATION.....	22
10.8 DIAGRAMMES DE CONNEXION.....	26
10.9 CONNEXION AU FEU.....	26
10.10 CONNEXION DE LA COMMANDE MODBUS.....	27
10.11 NETTOYAGE.....	27
10.12 DÉPANNAGE.....	27
10.13 DECLARATION DE CONFORMITÉ/INCORPORATION.....	29

1. GÉNÉRALITÉS

Lire attentivement toutes les instructions contenues dans le présent manuel.

Faire particulièrement attention aux sections précédées de la mention ATTENTION car, en cas d'inobservation, les personnes et/ou le ventilateur peuvent subir des dommages.

Note : conserver le manuel pour des consultations futures. Nous nous réservons le droit d'apporter des améliorations et des modifications au manuel, aux produits et aux accessoires sans l'obligation de mettre à jour les productions et les manuels précédents.

OBJET ET IMPORTANCE DU MANUEL

Le présent manuel, rédigé par le fabricant, fait partie intégrante de l'équipement des ventilateurs ; il doit donc impérativement suivre le ventilateur jusqu'à son démantèlement et être à disposition pour une consultation rapide de la part des installateurs et des utilisateurs. En cas de changement de propriétaire de la machine, le manuel doit être remis au nouveau propriétaire car il fait partie de l'équipement du ventilateur. Avant toute opération avec ou sur le ventilateur, le personnel concerné doit absolument et obligatoirement avoir lu avec la plus grande attention le présent manuel. En cas de perte du manuel, s'il est détérioré ou n'est plus lisible, en demander un nouvel exemplaire au revendeur autorisé ou directement au fabricant et vérifier que la date de modification est antérieure à l'achat de la machine. L'objet de ce manuel est de permettre une installation et une utilisation sûres des ventilateurs; il fournit les consignes et les indications relatives aux normes de sécurité pour la prévention des accidents au travail, les instructions qu'il contient doivent donc être respectées et appliquées formellement et complètement. En outre, ces recommandations ne constituent pas les seules procédures pour garantir la sécurité ; toute opération effectuée sur des parties en mouvement et/ou sous tension, comme l'installation et la maintenance, requiert des attentions particulières garanties uniquement par un personnel qualifié et correctement formé. Les divers opérateurs doivent observer très scrupuleusement les consignes de sécurité à leur charge selon les réglementations en vigueur.

NOTE : on entend par personnel qualifié un personnel ayant une compétence technique spécifique dans le secteur des composants d'installations aérauliques et électriques.

AVERTISSEMENT : les ventilateurs peuvent être utilisés pour le déplacement d'air propre ou légèrement poussiéreux (sauf autre spécification), le tout en respectant les conditions d'emploi indiquées sur ce manuel.

2. CONSIGNES GÉNÉRALES DE SÉCURITÉ

Pour éviter les BLESSURES GRAVES ou la MORT et les DOMMAGES CAUSÉS AUX CHOSES, il est nécessaire de lire, comprendre et suivre les avertissements et les instructions contenus dans ce manuel avant d'installer, d'utiliser et de entretenir le ventilateur.

Le ventilateur doit être installé directement sur la structure porteuse du bâtiment, après s'être assuré que la structure elle-même est capable de supporter au moins le double de son poids.

La hauteur minimale par rapport au sol et la distance par rapport aux passerelles, à la mezzanine ou à toute autre structure traversée par des personnes ou des animaux ne doit pas être à moins de 10ft (3.05m) de la base du ventilateur.

Lors de l'installation, il est nécessaire d'interdire la présence de personnes et d'animaux dans une zone d'au moins 1.5 fois le diamètre du ventilateur.

Connectez toujours le câble de sécurité et les câbles du stabilisateur comme indiqué. L'absence d'utilisation et d'installation appropriées de ces appareils exclut la garantie du produit. Ne procédez pas à la mise en service sans avoir vérifié manuellement la libre rotation de la roue.

RISQUES LIÉS À DES USAGES NON CONFORMES

Ne pas introduire les mains ou d'autres parties du corps à proximité d'organes en mouvement. Conséquences : COLLISION avec BLESSURE GRAVE ou MORT.

Ne pas utiliser le ventilateur dans des atmosphères autres que celles prévues. Conséquences : DOMMAGES AUX PERSONNES ou aux ANIMAUX et / ou Dysfonctionnement du ventilateur.

Il est interdit aux opérateurs non autorisés d'effectuer des interventions de tout genre sur le ventilateur. Conséquences: DYSFONCTIONNEMENT DU VENTILATEUR AVEC DANGER POUR LA SANTÉ / LA SÉCURITÉ HUMAINE ET ANIMALE.

RISQUES PROPRES AU VENTILATEUR

Entraînement par des organes en mouvement.

Projection d'un objet entré à l'intérieur du ventilateur à travers le refoulement.

Danger de brûlures en raison de surtempérature sur les surfaces extérieures du ventilateur.

Risques de ruptures en raison de vibrations excessives.

RISQUES PENDANT LA MAINTENANCE

Effectuer les opérations de maintenance programmées afin d'éviter que, avec le temps, des ruptures structurelles et mécaniques se produisent.

Pendant le nettoyage de la roue, même avec l'alimentation coupée, celle-ci pourrait maintenir une inertie ou recevoir un mouvement par courants d'air naturels ou induits provenant d'autres appareils reliés à la même installation : il s'ensuit un risque sérieux de cisaillement et/ou de happement. C'est pourquoi il est nécessaire de bloquer mécaniquement la roue.

Il est sévèrement interdit de :

- opérer sur le ventilateur en conditions de service,
- opérer sur le ventilateur sans avoir coupé l'alimentation.

BRUIT

Les valeurs de bruit des ventilateurs sont exprimées en dB(A) et sont indiquées sur ce manuel.

NOTE : Ces valeurs ont été mesurées dans des conditions de laboratoire standard. Différentes valeurs peuvent être détectées dans les conditions d'installation, en raison de la réverbération environnementale.

RISQUES DE NATURE MÉCANIQUE

L'installation du ventilateur, son fonctionnement et sa fonction impliquent des risques mécaniques, qui peuvent être résolus avec une installation et une utilisation correctes.

Les opérations de maintenance doivent être effectuées dans des conditions de sécurité en isolant le ventilateur de l'alimentation électrique d'une manière certaine et qui ne puisse pas être restaurée accidentellement, en utilisant uniquement un personnel qualifié, informé et formé.

3. TRANSPORT, ACCEPTATION ET STOCKAGE

Tous les ventilateurs sont emballés dans des cartons ou fixés sur des palettes pour en faciliter la manipulation. Le fabricant n'est responsable que jusqu'au moment du chargement. Le transport doit avoir lieu en toute sécurité, il appartiendra au transporteur d'assurer le chargement de manière adéquate. Pour le déplacement, utiliser des appareils appropriés comme prévu par les instances dirigeantes de la santé et de la sécurité dans la juridiction de l'installation. En cas de transport dans des situations ambiantes particulièrement défavorables, comme par exemple, par bateau ou sur des parcours difficiles, les conditions doivent être préalablement convenues avec Refresh Fans Inc., sous peine d'annuler la garantie du fabricant.

AVERTISSEMENT : il est strictement interdit d'empiler ou d'appliquer des charges sur les ventilateurs.

STOCKAGE

Stocker dans des environnements contenant des substances corrosives, même minimales, doit être évité, notamment avec une humidité relative supérieure à 60%.

Éviter l'exposition à des substances même faiblement corrosives.

Le fabricant décline toute responsabilité en cas de dommages aux organes de transmission dus à l'inactivité prolongée du ventilateur. Ne pas stocker à proximité de machines qui produisent des vibrations, car les roulements pourraient subir le même type de sollicitations.

Évitez que le ventilateur ne soit soumis à des chocs qui pourraient l'endommager.

4. INSTALLATION ET MISE EN MARCHÉ

INSTALLATION

ATTENTION : L'installation par un personnel non qualifié, non formé, non informé et sans dispositifs de sécurité adéquats est interdite.

Prévoir un espace adéquat pour effectuer les opérations de montage, définir et interdire l'accès aux non-travailleurs et aux animaux. Considérez une zone dont le diamètre est égal à au moins 1.5 fois le diamètre du ventilateur en dessous du lieu d'installation.

Commencez par retirer le ventilateur de son emballage en utilisant des systèmes de levage adaptés au poids et aux dimensions du ventilateur, en le ramassant utilisant les fentes prévues sur les structures des ventilateurs, en utilisant des tirants d'une longueur et dans une quantité adéquate, répartissant la charge de manière uniforme.

Ne soulevez pas le ventilateur en utilisant le manche du moteur comme point de départ.

Le poids de chaque ventilateur est indiqué ci-dessous.

Vérifier que la roue n'a pas subi de chocs ou de déformations pendant le déplacement, qu'elle est bien fixée à son arbre de rotation, qu'elle tourne librement sur son axe et qu'aucun corps étranger n'interfère avec la roue.

Fixez le point de fixation du ventilateur directement sur la structure de support du bâtiment, après vous être assuré que la structure elle-même est capable de supporter au moins le double du poids de tout le ventilateur.

En cas d'installation sur structures en acier, il est indispensable que ces structures aient la fréquence minimale naturelle supérieure de 50% à la vitesse du ventilateur.

La hauteur minimale par rapport au sol et la distance par rapport à la passerelle, la mezzanine ou toute autre structure traversée par des personnes ou des animaux ne doivent pas être inférieures à 10ft (3.05m).

Fixer solidement le ventilateur, au moyen d'une visserie d'un diamètre adéquat et avec un serrage correct (vis galvanisées classe 4.8 et 8.8), à tous les trous de fixation prévus. Lors de l'installation, il est nécessaire de délimiter et d'interdire les personnes et les animaux dans une zone égale à 1.5 fois le diamètre du ventilateur de celui-ci. Connectez toujours le câble de sécurité et les câbles du stabilisateur comme indiqué.

ATTENTION : l'installateur est tenu d'effectuer le raccordement électrique et le montage du ventilateur conformément à la réglementation en vigueur sur le lieu d'installation.

BRANCHEMENT ÉLECTRIQUE

ATTENTION : Le branchement électrique doit être effectué par du personnel qualifié, formé et instruit et équipé de manière appropriée avec des dispositifs de protection.

Contrôler que les données de la tension électrique figurant sur la plaque du moteur correspondent aux données sur la ligne de raccordement. Pour le raccordement du moteur, se reporter au schéma inclus dans ce manuel.

L'utilisateur doit raccorder électriquement le ventilateur à la terre: une mise à la terre correcte du moteur et de la machine commandée évite des tensions et des courants parasites dans les roulements.

Choisir le système de protection et les câbles d'alimentation (la chute de tension pendant la phase de démarrage doit être inférieure à 3%) en fonction des caractéristiques indiquées sur la plaque signalétique du moteur.

ATTENTION : il est nécessaire de placer un interrupteur de sécurité ON/OFF à côté du ventilateur pour permettre au personnel de maintenance de contrôler directement l'alimentation du ventilateur. Cet accessoire peut être fourni sur demande.

MISE EN MARCHÉ

ATTENTION : la procédure de démarrage doit être effectuée par du personnel qualifié, formé et instruit et équipé de manière appropriée avec des dispositifs de protection.

**** Note d'opération importante ****

Le moteur peut perdre la synchronisation si toutes les pales du ventilateur ne sont pas connectées au moyeu du moteur. Voir page 28 pour plus de détails sur le code d'alarme / l'état des voyants / le dépannage

OPÉRATIONS À EFFECTUER AVANT LA MISE EN MARCHÉ :

- Vérifier le serrage de toute la boulonnerie:

COUPLE DE SERRAGE RECOMMANDÉ POUR LES BOULONS EN ACIER MÉTRIQUE À FILETAGE GROSSIER CLASSE TE-TCEI 8.8

Taille	Nm
M6	9,5
M8	23
M10	46
M12	79
M14	127
M16	198

Tableau 1 Utilisez les valeurs indiquées dans le tableau pour serrer toutes les vis fournies.

- Vérifier que la roue tourne librement en la tournant à la main.
- Vérifiez les connexions du ventilateur aux panneaux de commande et / ou aux interfaces.
- Vérifiez le raccordement du ventilateur au circuit de terre de protection du système et les connexions effectives de toutes ses pièces.
- Prenez note du sens de rotation souhaité.

OPÉRATIONS À EFFECTUER APRÈS LA MISE EN MARCHÉ

Vérifier que le sens de rotation est conforme à la direction précédemment notée et rapportée sur le ventilateur.

Vérifier que le courant absorbé ne dépasse pas celui indiqué sur l'étiquette d'identification du produit et/ou sur la plaque du moteur. NOTE : pour disposer d'une information fiable, prévoyez une période de stabilisation raisonnable (3 heures à 18°C).

Contrôler les températures des roulements après les premières 24/36 heures de fonctionnement, la plage de fonctionnement des roulements est la même que celle du moteur.

Pendant le fonctionnement du ventilateur, il ne doit y avoir aucune vibration visible sur le support de fixation ou les câbles de stabilisation. La valeur d'alerte à prendre en compte est comprise entre 12.7mm/s (valeur de crête) et 9mm/s (RMS), mesurée sur l'étrier de fixation, fixée de manière rigide au support, de taille appropriée comme décrit dans les étapes précédentes.

5. MAINTENANCE ET NETTOYAGE

ATTENTION : la maintenance doit être effectuée par du personnel qualifié, formé et instruit et équipé de manière appropriée avec des dispositifs de protection. Les opérations de maintenance des ventilateurs sont relativement simples, mais elles nécessitent toujours des opérations de routine visant à maintenir l'efficacité de tous leurs composants et à éviter les dommages qui pourraient nuire à leur bon fonctionnement et à la sécurité des personnes. L'intervalle des opérations de maintenance dépend des conditions de fonctionnement du ventilateur. Dans des conditions de fonctionnement idéales et continues, il est conseillé de soumettre le ventilateur à une opération de maintenance toutes les 2200 heures.

Le nettoyage des pales doit être précis afin de ne pas créer de déséquilibres dus aux résidus de saleté.

Nettoyez la poussière déposée sur le moteur électrique afin de préserver la capacité de dissipation de chaleur pendant le fonctionnement.

La lubrification des roulements n'est pas nécessaire. Le moteur est équipé de roulements autolubrifiants, ne nécessitant aucun entretien à vie. Leur durée de vie varie en fonction des conditions de fonctionnement réelles (nombre de démarrages, etc.) et des conditions ambiantes de fonctionnement (température, présence de poussière, etc.). Les roulements sont conçus pour garantir au moins 50000 heures de fonctionnement dans des conditions d'utilisation idéales.

Vérifier l'intégrité et le serrage des boulons (galvanisés, métriques, à pas grossier, classes 4.8 et 8.8). En cas d'oxydation, remplacez-la par des pièces de rechange ayant les mêmes caractéristiques. Avant de démarrer le ventilateur, assurez-vous qu'aucun corps étranger en métal ne reste à l'intérieur du corps du ventilateur. Répétez les opérations requises avant et après la mise en service (chapitre 4. INSTALLATION).

6. ARRÊT

AVERTISSEMENT : la procédure d'arrêt doit être effectuée par du personnel qualifié, formé et instruit et équipé de manière appropriée avec les dispositifs de protection.

MISE EN SÉCURITÉ

- assurer un éclairage approprié de la zone autour de la machine (en donnant aux opérateurs des éclairages électriques).
- assurez-vous que la machine est déconnectée de toutes les sources d'alimentation.
- assurez-vous que toutes les pièces mobiles sont complètement arrêtées.
- attendez que la température externe de la machine ait atteint une valeur qui ne soit pas trop chaude au toucher.
- verrouiller mécaniquement toutes les pièces mobiles.

7. DÉMONTAGE

AVERTISSEMENT : la procédure de démontage doit être effectuée par du personnel qualifié, formé et instruit et équipé de manière appropriée avec des dispositifs de protection.

Procédez aux opérations de montage (indiquées dans la fiche technique) dans le sens opposé, en appliquant toutes les procédures de sécurité décrites au chapitre 5. INSTALLATION.

8. DÉMANTÈLEMENT

Lorsque le ventilateur atteint la fin de sa durée de vie, l'utilisateur final ou celui qui agit pour son compte doit en disposer correctement sur des sites autorisés, conçus pour recevoir des produits industriels électromécaniques.

Sinon, il est nécessaire d'effectuer certaines opérations avant de remettre les matériaux aux sites autorisés ou aux îles écologiques:

- séparer les composants électriques des composants mécaniques.
- séparer différents matériaux tels que plastiques, acier, cuivre, etc.

La dispersion de matériaux dans l'environnement ou sur des sites non autorisés est un délit pénal poursuivi par les autorités compétentes.

9. ANOMALIES DE FONCTIONNEMENT

N'oubliez pas que si un système Refresh Fans Inc. ne fonctionne pas, il peut y avoir plusieurs causes. Toutes les causes doivent être identifiées et systématiquement éliminées.

ANOMALIE	CAUSE POSSIBLE	SOLUTION
Le ventilateur ne démarre pas	Serrure mécanique	- Après avoir coupé l'alimentation électrique, vérifiez manuellement que la roue tourne librement.
	Manque d'alimentation électrique	- Vérifiez l'état du dispositif de protection de l'alimentation. - Vérifier le bon raccordement du moteur au réseau électrique.
	Protection thermique	- L'intervention de la protection thermique empêche le redémarrage du ventilateur. La cause doit être éliminée. Diminuer la charge.
	Paramétrage du moteur	- En cas de contrôle du ventilateur via MODBUS, vérifiez les registres / paramètres.
Moteur avec bruit anormal	La cause est mécanique si le bruit persiste même après la mise hors tension de l'alimentation.	- Un bruit mécanique peut être causé par des vibrations dues au déséquilibre des pièces en rotation et / ou à des roulements endommagés. Dans les deux cas, il est nécessaire de contacter un personnel qualifié pour réparer ou remplacer correctement les pièces.
	La cause en est électrique si le bruit disparaît après la mise hors tension.	- Vérifiez le bon raccordement et le serrage des câbles d'alimentation. - Si l'interface MODBUS est présente, vérifiez les paramètres du moteur.
Surtempérature du moteur anormale	Température ambiante incompatible	- Comparez la température ambiante à la température maximale autorisée indiquée dans la fiche technique.
	Paramétrage MODBUS du moteur	- Vérifiez que les paramètres MODBUS du moteur sont correctement définis.
	Source de courant	- Vérifier les chutes de tension et / ou les défauts de la ligne d'alimentation.

10. SPÉCIFICATIONS TECHNIQUES, INSTALLATION ET FONCTIONNEMENT

10.1 TYPE

Ventilateur de plafond avec moteur brushless EC haute efficacité conçu pour un usage civil, industriel, agricole et zootechnique où un fort débit d'air à une vitesse de rotation réduite est nécessaire.

10.2 CARACTÉRISTIQUES PRINCIPALES

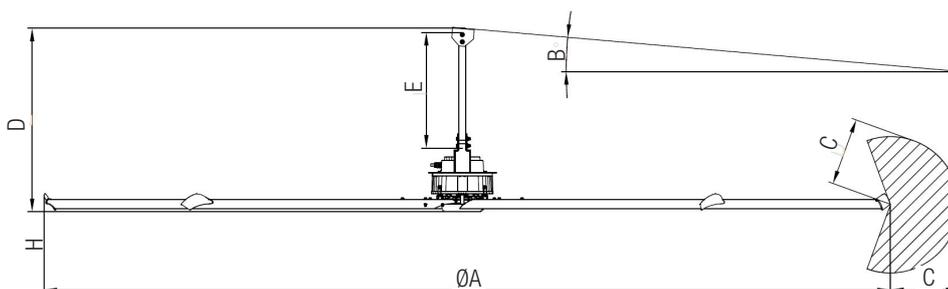
- Moteur brushless 200-480 Vac, 3ph, 50/60Hz, IP65.
- Temperature max +50°C.
- Vitesse réglable.
- Adapté pour un usage constant, S1.
- Système Intégré.
- Pales extrudées en aluminium anodisé.
- Aucun engrenage, silencieux.
- Aucun entretien ordinaire.
- Plusieurs niveaux de sécurité.
- Branchements électriques simplifiés.
- Structure résistance et robuste.

10.3 DONNÉES @240V, 60Hz alimentation, vitesse maximale

VENTILATEUR	Diamètre (A)	Taille minimale du circuit	Poids	Distance min. de sécurité des obstacles (C)	Vitesse max.	Diamètre considéré	Son à vitesse max ⁽¹⁾
	ft (m)		lb (kg)	ft (m)	RPM	ft (m)	dB(A)
EQ10-200480-3	10 (3.1)	10A@200-240V, 3Φ 10A@400-480V, 3Φ	176 (80)	1.2 (0.35)	130	45 (14)	55
EQ12-200480-3	12 (3.7)		194 (88)	1.5 (0.45)	85	52 (16)	52
EQ14-200480-3	14 (4.3)		220 (100)	1.5 (0.45)	80	56 (17)	55
EQ16-200480-3	16 (4.9)		234 (106)	1.8 (0.55)	70	75 (23)	56
EQ18-200480-3	18 (5.5)		249 (113)	1.8 (0.55)	63	98 (30)	49
EQ20-200480-3	20 (6.1)		260 (118)	1.8 (0.55)	55	102 (31)	50
EQ24-200480-3	24 (7.3)		282 (128)	1.8 (0.55)	51	234 (71)	55

(1) Tests acoustiques réalisés avec le capteur situé à 1,5m du sol et à 6m du centre du ventilateur, à une hauteur de 5m, mesuré dans un environnement de laboratoire. Les résultats réels dans les conditions de terrain peuvent varier en raison des surfaces réfléchissantes et des conditions environnementales.

10.4 DIMENSIONS



VENTILATEUR	ØA diamètre du ventilateur	B inclinaison max. du plafond	C distance min. de sécurité des obstacles	D hauteur du vent. avec 800mm tube	E longueur du tube	H hauteur min. d'installation
	in. (mm)	°	in. (mm)	in. (mm)	in. (mm)	in. (mm)
EQ10-200480-3	120 (3050)	15	14 (350)	49 (1250)	32 (800)	120 (3050)
EQ12-200480-3	144 (3650)	15	18 (450)	49 (1250)	32 (800)	120 (3050)
EQ14-200480-3	168 (4250)	15	18 (450)	50 (1270)	32 (800)	120 (3050)
EQ16-200480-3	192 (4850)	15	22 (550)	50 (1270)	32 (800)	120 (3050)
EQ18-200480-3	216 (5450)	15	22 (550)	51 (1304)	32 (800)	120 (3050)
EQ20-200480-3	240 (6050)	15	22 (550)	51 (1304)	32 (800)	120 (3050)
EQ24-200480-3	288 (7300)	15	22 (550)	51 (1304)	32 (800)	120 (3050)

10.5 COMPOSANTS

Le ventilateur est livré en deux kits :

Le KIT MOTEUR comprend :

- corps principal (Fig.I - 1).
- tube d'extension de 800mm (Fig.I - 2).
- 2x plaques de fixation au plafond (Fig.I et VI - 3).
- 2 sets de fixation :
 - 4x vis M12 (Fig.I - 4), 4x écrou autobloquant M12 (Fig.I - 5), 4x rondelle standard M12 (Fig.I - 6), 4x rondelle de base M12 (Fig.I - 7) pour la fixation au plafond.
 - 10x vis avec bride M8 (Fig.VIII - 8), 10x écrou autobloquant M8 (Fig.VIII - 9), 10x rondelle de base M8 (Fig.VIII - 10) pour la fixation des pales au corps principal.
- kit de composants de plastique : cache inférieur (Fig.IX - 11), 5x vis M4 (Fig.IX - 12), 5x terminal pales (Fig.VIII - 13) et 10x vis (Fig.VIII - 14).
- câbles électriques avec connecteurs (Fig.III - 15).
- kit câbles de sécurité : 1x câble Ø5mm avec anneau (Fig.I et II - 16), 2x câble Ø5mm avec deux anneaux (Fig.II - 17), 2x brides (Fig.VII - 18), 2x mousqueton 7mm (Fig.II at V - 19), 1x maillons (Fig.II - 20) pour les câbles de sécurité ; 4x câble Ø3mm avec tendeur (Fig.X - 21), 5x mousqueton 5mm (Fig.X et XI - 22) et 8x brides (Fig.XIII - 23) pour câbles de stabilisation.

Le KIT PALES comprend 5x pales (Fig.VIII - 24).

10.6 ATTENTION: PRÉCAUTIONS SPÉCIALES

“AVERTISSEMENT - POUR RÉDUIRE LES RISQUES D’INCENDIE, D’ÉLECTROCUTION OU DE BLESSURES CORPORELLES, RESPECTEZ CE QUI SUIT” :

- “Les travaux d’installation et le câblage électrique doivent être effectués par des personnes qualifiées conformément à toutes les réglementations et normes en vigueur, y compris la construction coupe feu.”
- “Lors de la coupe ou du perçage dans un mur ou un plafond, ne pas endommager les câbles électriques et autres câbles cachés.”
- “Pour réduire les risques de blessures, ne pas plier les supports de lame lors de l’installation des supports, de l’équilibrage des lames ou du nettoyage du ventilateur. N’insérez pas d’objets étrangers entre les pales du ventilateur en rotation.”
- Assurez-vous que le courant est coupé avant d’initier l’installation.
- Une fois les connexions câblées établies, répartissez les câbles avec le conducteur mis à la terre et le conducteur de terre de l’équipement sur un côté du boîtier de prise de courant et le conducteur non mis à la terre de l’autre côté du boîtier de prise de courant.

L’installateur et le propriétaire de la structure sont chargés de la bonne installation dans des conditions de sécurité du ventilateur, aux normes locales en vigueur.

- Contrôler chaque année la fixation et réajuster les écrous et les vis si nécessaire (voir tableau 1).
- Le produit ne doit pas travailler dans des conditions de vent fort (6m/s) et/ou dans les environnements où il y a souvent du vent.
- S’assurer que la structure sur laquelle le ventilateur est monté peut soutenir une charge d’au moins le double de celle du ventilateur et un couple maximum d’au moins 350Nm. Consulter index vers bonne évaluation avant d’acheter.
- S’assurer que tous les dispositifs de sécurité prévus pour le produit sont utilisés pour prévenir toute situation de danger et pour protéger les personnes, les animaux, les machines et la structure.

****** Note d’opération importante ******

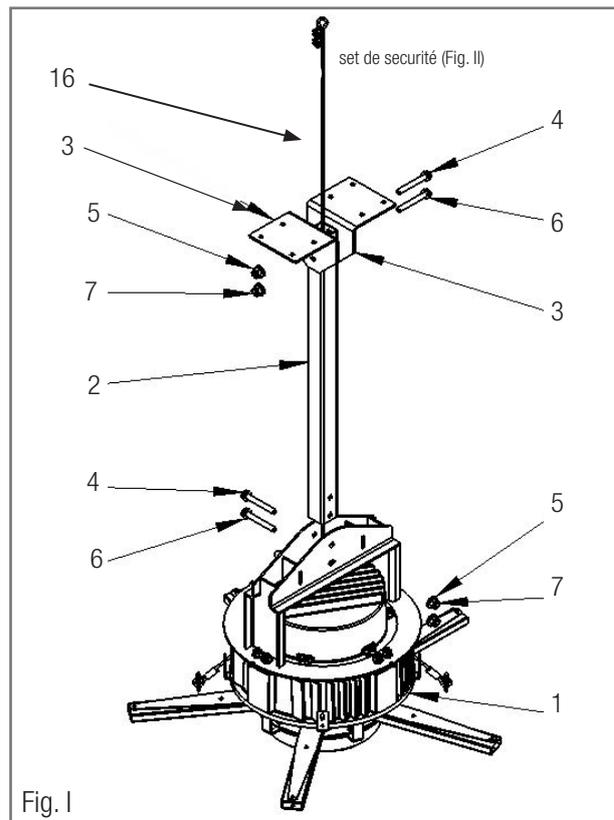
Le moteur peut perdre la synchronisation si toutes les pales du ventilateur ne sont pas connectées au moyeu du moteur. Voir page 28 pour plus de détails sur le code d’alarme / l’état des voyants / le dépannage

10.7 INSTALLATION

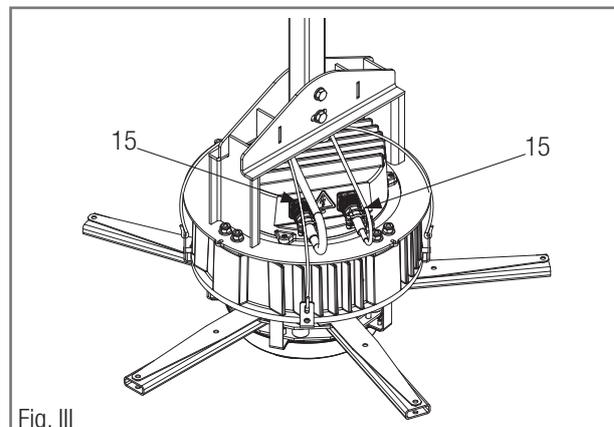
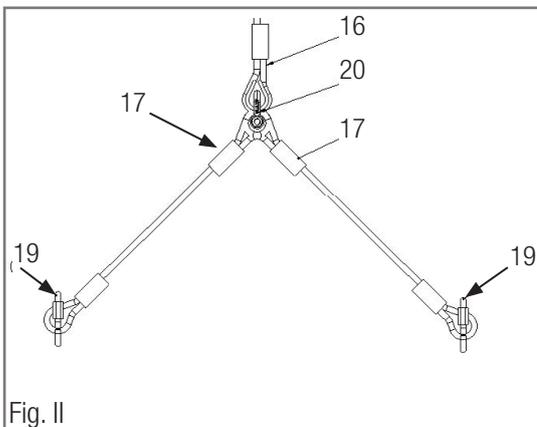
• Choisir la position d’installation du ventilateur en tenant compte des considérations suivantes :

- la distance minimale entre le sol et le point inférieur du ventilateur doit être de 10ft (3.05m - lettre H du schéma). Sur demande, il peut y avoir des tubes d’une longueur différente par rapport au à la dimension standard.
- la distance minimale entre les pales et le mur ou tout autre obstacle varie en fonction du modèle choisi (lettre C du schéma).

- si possible, éviter d'installer directement dessous une source de lumière afin d'éviter un effet stroboscopique provoqué par la rotation du rotor.
- en cas d'installation avec des gicleurs, le ventilateur ne doit pas interférer dans leur fonctionnement.
- le ventilateur ne doit pas être placé près des points d'entrée ou sortie d'air d'autres appareils, vu que cela pourrait affecter les prestations du ventilateur ; la qualité intérieure de l'air et le confort des occupants :
 - les points d'introduction de l'air doivent être loin du ventilateur.
 - les points de sortie de l'air qui pourraient provoquer une section doivent être situés à une distance égale à 1,5 fois le diamètre du ventilateur.
- pendant le montage, marquer sur le sol un cercle segmenté pour indiquer aux personnes présentes près de la structure la position du ventilateur.



- Monter le kit de sécurité en utilisant le câble Ø5mm avec une bague (16), le maillon (20), le câble Ø5mm avec deux bagues (17) et les mousquetons de 7mm (19).
- Passer le câble de Ø5mm (16) et câbles électriques (15) dans le tube (2), fixer le tube au corps principal (1) et les plaques de fixation (3) en utilisant les vis M12 (4), les rondelles M12 (6), les rondelles de base M12 (7) et les écrous autobloquants M12 (5). Connecter les connecteurs (Fig. III) aux prises du moteur.





REFRESH®

Fans inc.

Efficient. Effective. Essential.

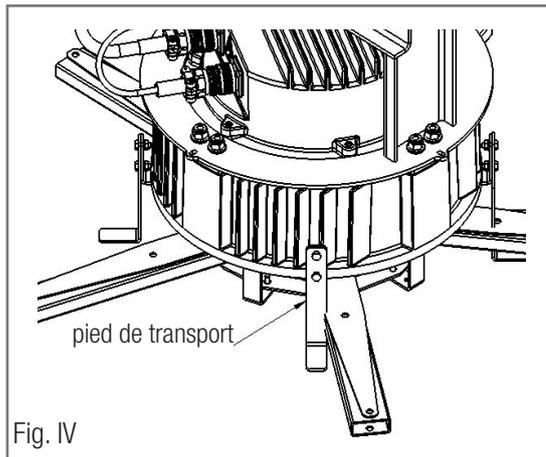


Fig. IV

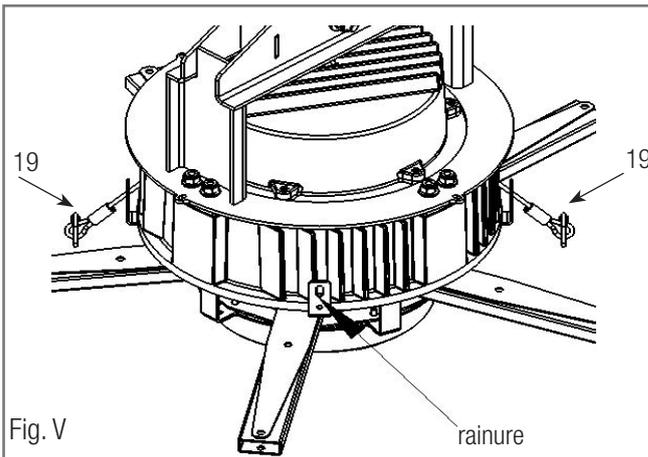


Fig. V

- Retirer du corps principal les quatre pieds de transport en desserrant les vis et accrocher les mousquetons (19) sur deux des rainures formées (en laissant une de libre entre les deux accrochées).

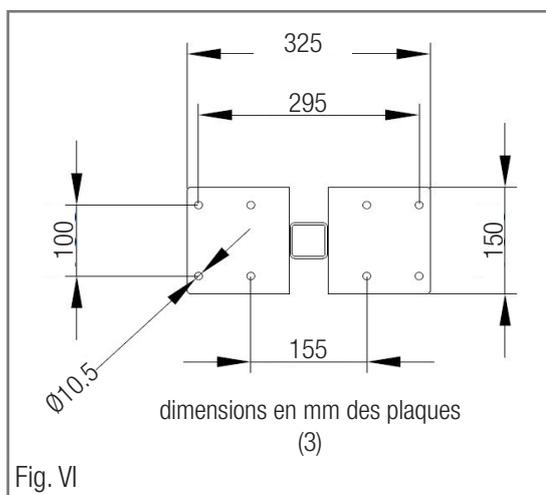


Fig. VI

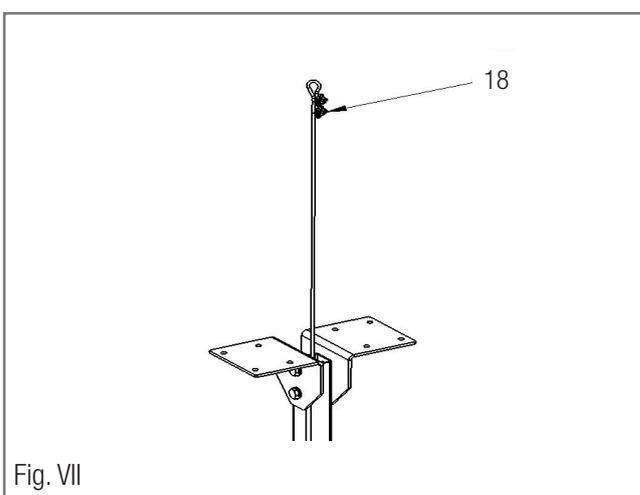


Fig. VII

- Fixer l'ensemble au plafond/poutre en profitant des 8 trous de la plaque de fixation (3) et connecter le câble de sécurité au plafond/poutre en utilisant les brides (18). La visserie de fixation n'est pas fournie.

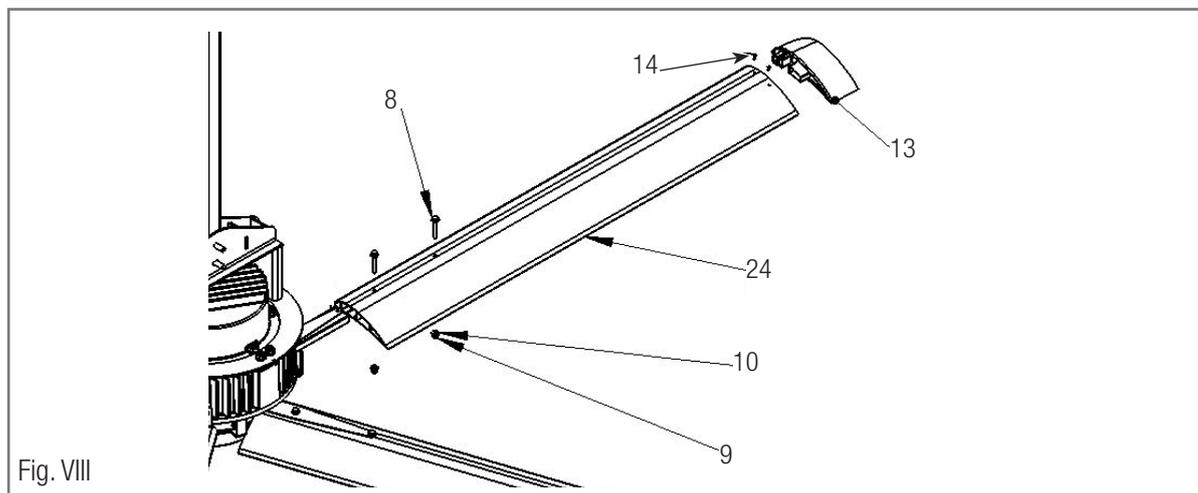
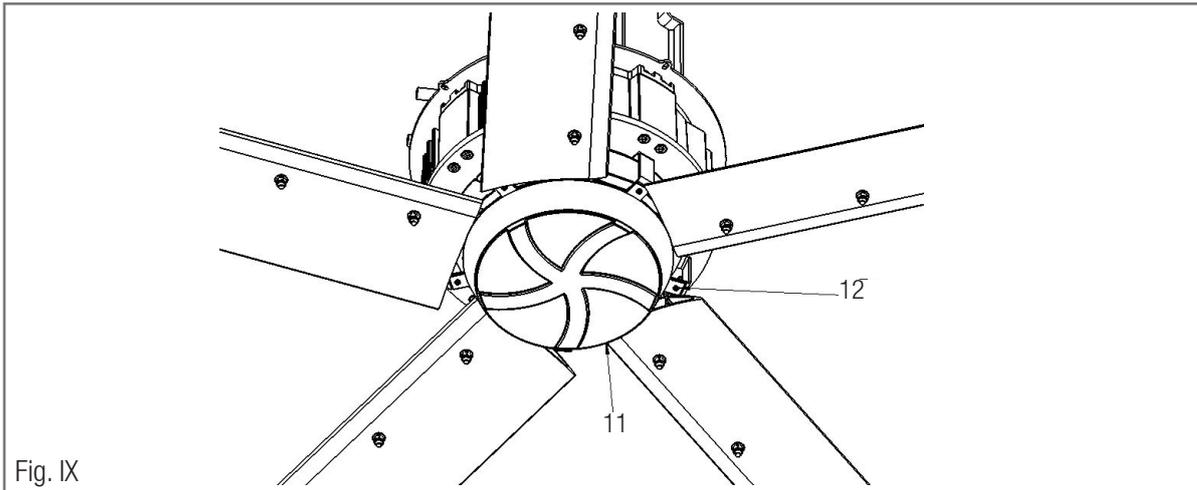
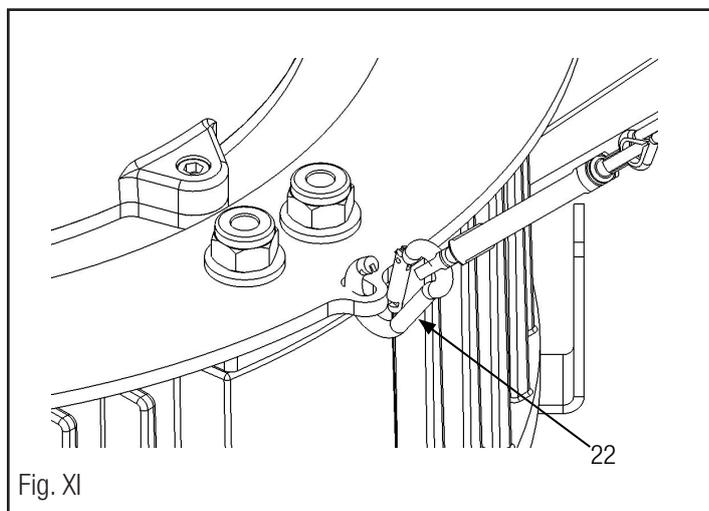
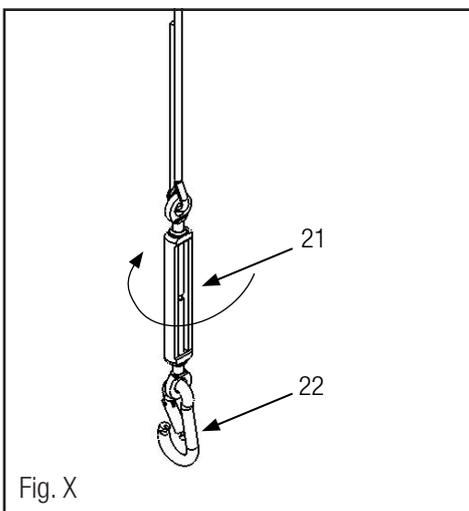


Fig. VIII

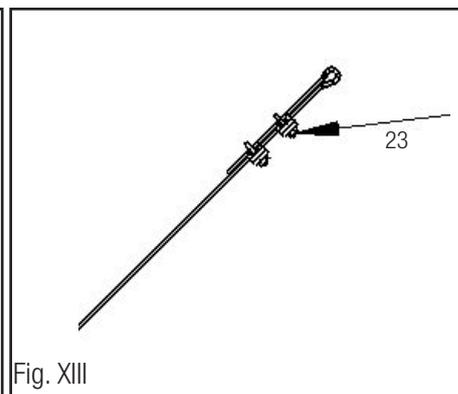
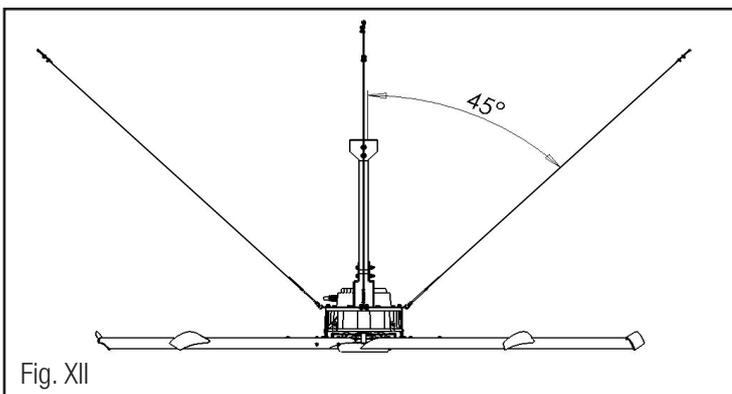
- Introduire la pale (24) dans le tube du cube, la fixer avec les vis avec une bride M8 (8), les rondelles de base M8 (10) et celles autobloquantes M8 (9). Serrer les vis en se référant au tableau 1. Monter les terminaux en plastique (13) en utilisant les vis (14) ;



- Monter les terminaux en plastique (11) sous le cube à l'aide des vis M4 (12). Pour laver l'appareil, perforer le cache pour que l'eau puisse couler.



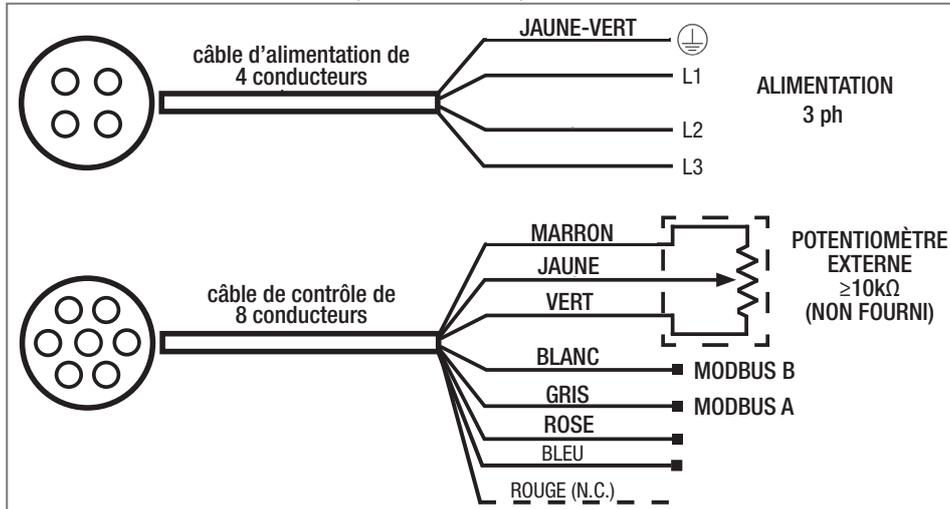
- Connecter les câbles de 4x Ø3mm avec le tendeur (21) au support moteur avec les mousquetons de 5mm (22) et stabiliser le ventilateur. Fixer de l'autre côté les câbles au plafond et ajuster avec les brides (23). La visserie de fixation n'est pas fournie.
- En utilisant un niveau à bulle le long du tube, ajuster les tendeurs manuellement (comme sur l'image X) et vérifier régulièrement que la machine travaille à la bonne position.



10.8 DIAGRAMES DE CONNEXION

- S'assurer que la machine n'est pas sous tension pendant les tâches d'installation, d'entretien ou de service!
- L'installation et l'entretien de la machine doivent être faits par un installateur agréé et conformément aux règles locales.
- Le ventilateur doit être relié à la terre.

POTENTIOMÈTRE EXTERNE (ACCESSOIRE)



AVERTISSEMENT : quel que soit le système de contrôle en place (potentiomètre ou Modbus), il est vivement recommandé de câbler la ligne de communication Modbus et de la rendre accessible depuis le sol afin de faciliter le dépannage via Modbus à tout moment après l'installation.

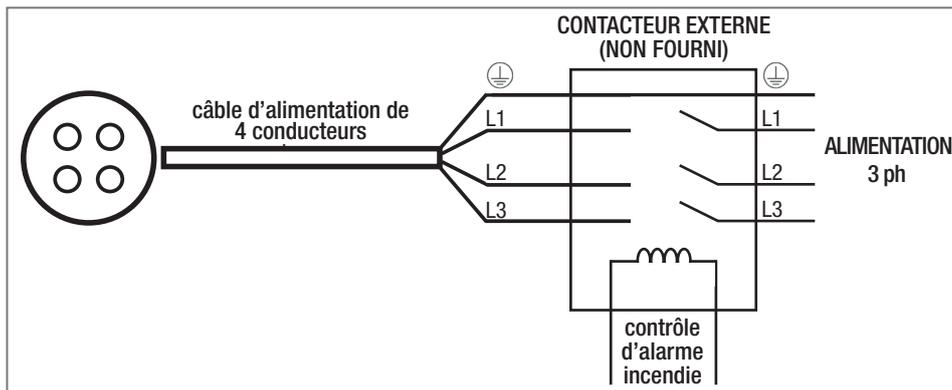
10.9 CONNEXION AU FEU

Diamètre maximum autorisé du ventilateur de 24 pieds.

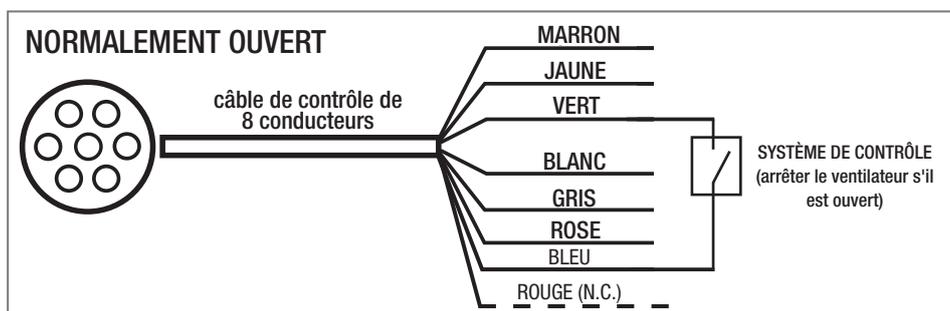
Les ventilateurs doivent être approximativement centrés entre quatre arroseurs adjacents.

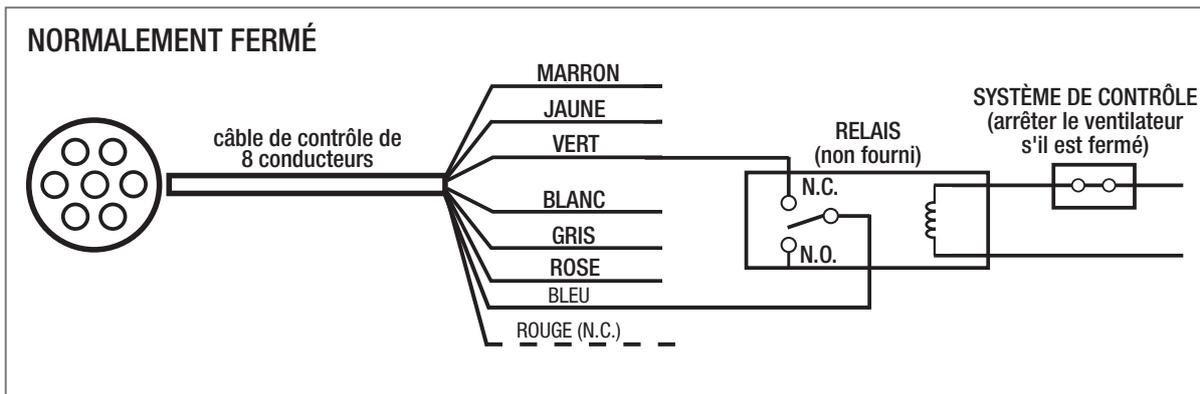
Il doit y avoir un dégagement minimum de 3 pieds entre le déflecteur de gicleurs et le ventilateur.

Les ventilateurs doivent être connectés pour s'arrêter immédiatement après avoir reçu un signal de débit d'eau du système d'alarme incendie.



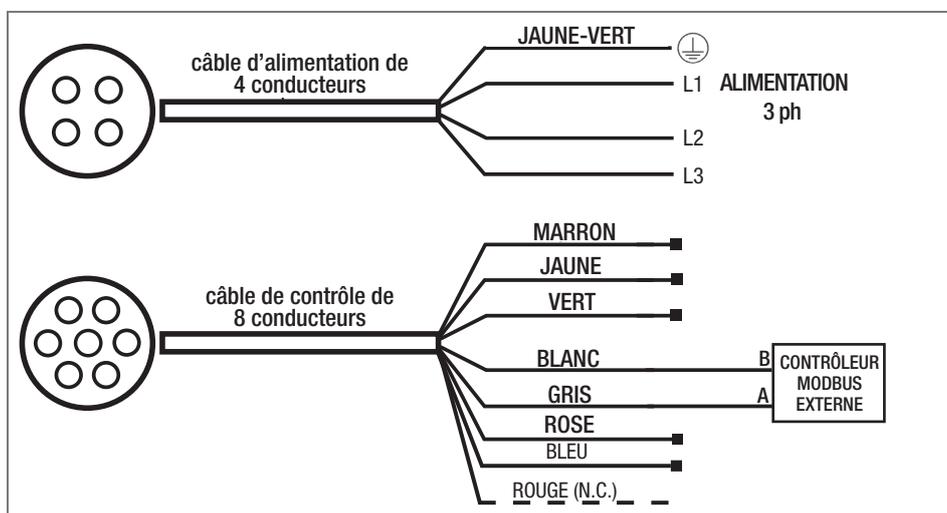
Si la fonction RUN INPUT est activée (voir ci-dessous - Registre de maintien ModBus 44), l'unité ne fonctionne que lorsque le fil bleu est connecté au vert.





Adresse du register	Description	Dimension (Word)	Type de données	U.M. (données sur le registre)	Exemple Valeur du registre → Valeur réelle
44	Fonction RUN INPUT	1	ushort	-	0 → RUN INPUT désactivé (par défaut) - 1 → RUN INPUT activé

10.10 CONNEXION DE LA COMMANDE MODBUS



10.11 NETTOYAGE

L'unité (IP65) peut-être nettoyée avec un jet d'eau.

10.12 DÉPANNAGE (ModBus)

Paramètres de connexion

Protocole	MODBUS/RTU sur RS485
Vitesse de transmission (points de base) (bps)	9600
Bits de données	8
Bits de parité	aucun
Bits d'arrêt	2
Adresse slave HVLS	1

Registres Modbus - Registre d'entrée

Ces registres sont en lecture seule et peuvent être lus à l'aide de la fonction *04 READ INPUT REGISTERS*.

Adresse du register	Description	Dimension (Word)	Type de données	U.M. (données sur le registre)	Exemple Valeur du registre → Valeur réelle
3	Vitesse mesurée	1	ushort	0.1rpm	490 → 49rpm
10	Alarme 1	1	ushort	-	Voir tableau suivante
17	Alarme 2	1	ushort	-	Voir tableau suivante
33	Compteur (minutes)	1	ushort	Minutes	23 → 23 Minutes Commence à compter lorsque le Motoinverter est activé. Les données de fonctionnement sont enregistrées.
34	Compteur (heures)	1	ushort	Heures	1234 → 1234 Heures Commence à compter lorsque le Motoinverter est activé. Les données de fonctionnement sont enregistrées.



Codes d'alarme/Statut des voyants/Dépannage

DONNÉE ALARM 1	DONNÉE ALARM 2	CLIGNOTEMENT LED (clignotement simple, durée approximative)	DESCRIPTION D'ALARME CAUSE POSSIBLE	DÉPANNAGE
0	0	1 clignotement/2sec (1s)	Pas d'erreur	-
1	0	1 clignotement/s (0.5s)	Erreur de mémoire - paramètres moteur perdus	Contactez le fabricant / support technique
2	0	2 clignotements/s (0.25s)	Court-circuit - module d'alimentation électronique endommagé	Carte endommagée Contactez le fabricant / le support technique
3	0	3 clignotements/s (0.17s)	Synchronisation moteur perdue - paramètres moteur ou électronique incorrects endommagés	Vérifiez les enroulements du moteur. Si les enroulements du moteur sont corrects (les 3 enroulements ont la même résistance), contactez le fabricant / le support technique. Si les enroulements du moteur sont endommagés (circuit ouvert / court-circuit), remplacez le moteur.
4	1	5 clignotements/s (0.1s)	Tension d'alimentation hors plage 135Vac÷550Vac (tension du bus DC 190÷780V) uniquement avec le moteur éteint - ne fonctionne pas	Vérifiez la tension d'alimentation Vérifiez le câblage d'alimentation
4	32	5 clignotements/s	Tension d'alimentation supérieure à 565Vac (tension du bus DC supérieure à 800V) pendant le fonctionnement du moteur (valeur instantanée)	Vérifiez la tension d'alimentation Vérifiez le câblage d'alimentation
4	33	5 clignotements/s	Tension d'alimentation inférieure à 107Vac (tension du bus DC inférieure à 150V) pendant le fonctionnement du moteur (valeur instantanée)	Vérifiez la tension d'alimentation Vérifiez le câblage d'alimentation
4	34	5 clignotement/s	"Redémarrage à la volée" a échoué	L'entraînement n'a pas pu attraper la roue - cycle d'alimentation / nouvelle tentative
4	49	4 clignotements/s (0.13s)	Tension de phase U manquante/déconnectée (ou paramètres de moteur incorrects)	Vérifiez l'alimentation / le câblage. Si le câblage est correct, contactez le fabricant / le support technique
4	50	4 clignotements/s	Tension de phase V manquante/déconnectée (ou paramètres de moteur incorrects)	Vérifiez l'alimentation / le câblage. Si le câblage est correct, contactez le fabricant / le support technique
4	51	4 clignotements/s	Tension de phase W manquante/déconnectée (ou paramètres de moteur incorrects)	Vérifiez l'alimentation / le câblage. Si le câblage est correct, contactez le fabricant / le support technique
4	113	6 clignotements/s (0.08s)	Température de l'électronique supérieure à 85°C	Vérifiez si la température de fonctionnement est supérieure à la température de fonctionnement maximale nominale. Vérifier les anomalies (par exemple, rotation difficile) de la charge mécanique
4	114	7 clignotements/s (0.07s)	Température des enroulements du moteur supérieure à 125°C	Vérifiez si la température de fonctionnement est supérieure à la température de fonctionnement maximale nominale. Vérifier les anomalies (par exemple, rotation difficile) de la charge mécanique
4	115	aucun clignotement	Court-circuit sur la sonde de température du moteur Pt100	Vérifiez le câblage de la sonde de température - détecte la manipulation de la sonde de température

Pour plus d'informations sur le contrôle HVLS ModBus, contactez le fabricant / le support technique.

DECLARATION UE DE CONFORMITE' / INCORPORATION

Constructeur :

REFRESH FANS Inc.

200 West Beaver Creek Road, Unit 15, Richmond Hill, ON - L4B 1C7, Canada

DECLARATION UE DE CONFORMITE'



Nous déclarons ci-dessous que les produits de la gamme:

Ventilateurs HVLS de la gamme Refresh Fans RF

Sur la base de leur développement et de leur construction comme quasi-machine présentes sur le marché, ont été développés en conformité avec les réquisits sur la santé et la sécurité des Directives suivantes:

2014/35/UE - Directive Basse Tension (LVD)

2014/30/UE - Compatibilité électromagnétique (EMC)

2009/125/EC - Produits liés à l'énergie (ErP)

En cas d'altérations portées aux produits sans le consentement au préavis du constructeur, la validité de la présente déclaration sera caduque.

La présente déclaration de conformité est publiée sous la responsabilité exclusive du fabricant.

DECLARATION D'INCORPORATION

En accord avec la Directive Machine 2006/42/EC.

Nous déclarons ci-dessous que les produits de la gamme:

Ventilateurs HVLS de la gamme Refresh Fans RF

Sur la base de leur développement et de leur construction comme quasi-machine présentes sur le marché, ont été développées en conformité avec les réquisits essentiels de Santé et de Sécurité (EHSRs) de la pièce jointe 1, section 1.1.2 (Intégration de la sécurité), 1.1.5 (Maniement), 1.4.1 (Dispositifs de protection), 1.5.1 Electricité de la **Directive Machine 2006/42/EC**.

La machinerie est incomplète et ne doit pas être mise en service jusqu'à ce qu'elle ne soit intégrée dans une machine qui aura été évaluée et déclarée en conformité avec les réquisits de la Directive Machine 2006/42/EC.

Nous nous efforçons de transmettre, suite à une demande raisonnée de la part d'autorités nationales pertinentes, les informations pertinentes relatives aux quasi-machines cités.

Richmond Hill, 01/03/2019

Paul Reeves
Directeur Général



Canada: Refresh Fans Inc. - 200 West Beaver Creek Road, Unit 15, Richmond Hill, ON - L4B 1C7.
USA: Refresh Fans Inc. - 6601 Lyons Road, Unit H-3, Coconut Creek, FL - 33073.

E

EQ RANGE

Ventiladores de grandes prestaciones (HVLS)

ÍNDICE

1. INFORMACIÓN GENERAL.....	29
2. ADVERTENCIAS GENERALES DE SEGURIDAD.....	30
3. TRANSPORTE, ACEPTACIÓN Y ALMACENAMIENTO.....	31
4. INSTALACIÓN Y ARRANQUE.....	31
5. MANTENIMIENTO Y LIMPIEZA.....	32
6. PARADA.....	33
7. DESMONTAJE.....	33
8. DESGUACE.....	33
9. ERRORES DE FUNCIONAMIENTO.....	33
10. CARACTERÍSTICAS TÉCNICAS, INSTALACIÓN Y OPERACIONES.....	34
10.1 MODELO.....	34
10.2 CARACTERÍSTICAS PRINCIPALES.....	34
10.3 DATOS.....	34
10.4 MEDIDAS.....	34
10.5 COMPONENTES.....	35
10.6 PRECAUCIONES ESPECIALES.....	35
10.7 INSTALACIÓN.....	35
10.8 DIAGRAMAS DE CONEXIÓN.....	38
10.9 CONEXIÓN AL FUEGO.....	40
10.10 CONEXIÓN DE CONTROL MODBUS.....	41
10.11 LIMPIEZA.....	41
10.12 SOLUCIÓN DE PROBLEMAS.....	41
10.13 DECLARACIÓN DE CONFORMIDAD/INCORPORACIÓN.....	43

1. INFORMACIONES GENERALES

Lea atentamente todas las instrucciones que contiene este manual.

Preste atención especial a las secciones precedidas por el texto **ATENCIÓN** ya que, si se incumplen, pueden provocar daños a personas y/o al ventilador.

NOTA: conserve el manual para posibles referencias futuras. Nos reservamos el derecho de aportar mejoras y modificaciones al manual, a los productos y a los accesorios sin la obligación de actualizar producciones o manuales precedentes.

PROPÓSITO E IMPORTANCIA DEL MANUAL

Este manual ha sido redactado por el fabricante y forma parte de la dotación de los ventiladores; como tal, tiene que seguir al ventilador hasta su desguace y ser fácilmente localizable para una consulta rápida tanto por parte de los instaladores como por parte de los usuarios. En caso de cambio de propiedad de la máquina, el manual tiene que entregarse a la nueva propiedad como dotación del propio ventilador. En caso de que el manual se pierda, estropee o no se pueda leer completamente, hay que solicitar una copia de dicho manual al revendedor autorizado, o directamente al fabricante, y a continuación comprobar que la fecha de modificación sea anterior a la compra de la máquina. El propósito de este manual es permitir una instalación y un empleo seguro de los ventiladores y facilita las advertencias e indicaciones relativas a las normas de seguridad para la prevención de accidentes en el trabajo. Por lo tanto, las instrucciones que en él se recogen tienen que seguirse y aplicarse de manera taxativa y completa. Así mismo, estas recomendaciones no representan los únicos procedimientos para alcanzar una total seguridad; todas las operaciones realizadas en componentes en movimiento y/o bajo tensión, como la instalación y el mantenimiento, requieren atenciones especiales, garantizadas únicamente por personal cualificado e instruido de manera apropiada. Los distintos operadores tienen que cumplir minuciosamente las normas de seguridad que imponen las normativas vigentes.

NOTA: se define personal cualificado como aquel que tiene una competencia técnica específica de los componentes de instalaciones aerúlicas y eléctricas.

ATENCIÓN: el ventilador puede ser utilizado para manejar el flujo de limpieza o aire ligeramente polvoriento (a menos que se indique lo contrario), cumpliendo con las condiciones de funcionamiento indicadas.

2. ADVERTENCIAS GENERALES DE SEGURIDAD

Para prevenir LESIONES GRAVES o MUERTE, y DAÑOS MATERIALES, es necesario leer, entender y seguir las advertencias e instrucciones contenidas en este manual antes de instalar, usar y mantener el ventilador.

El Ventilador debe ser instalado directamente en la estructura de soporte del edificio, después de haber verificado que la estructura en sí misma pueda soportar al menos el doble del peso del ventilador completo.

La altura mínima desde el suelo y la distancia desde pasillos, entresuelo o cualquier otra estructura atravesada por personas o animales no debe ser inferior a 10ft (3.05m) desde la base del ventilador.

Durante la instalación, es necesario prohibir la presencia de personas o animales en el área debajo entre un diámetro no inferior a 1,5 veces el diámetro del ventilador.

Siempre conectar el cable de seguridad y los cables estabilizadores como se indica. El uso inapropiado e instalaciones inadecuadas de estos dispositivos excluye la garantía del producto. No proceda a la puesta en marcha sin haber verificado manualmente la libre rotación del impulsor.

RIESGOS DEBIDOS A USOS INCORRECTOS

No introduzca las manos u otras partes del cuerpo en componentes en movimiento. Consecuencias: COLISIÓN con LESIONES GRAVES y MUERTE.

No use el ventilador en lugares diferentes de los que están especificados. Consecuencias: DAÑO A PERSONAS O ANIMALES y/o MAL FUNCIONAMIENTO DEL VENTILADOR.

Las personas no autorizadas no tienen el permiso de realizar, ningún tipo de operaciones en el ventilador. Consecuencias: MAL FUNCIONAMIENTO DEL VENTILADOR Y PELIGRO PARA LA SALUD Y SEGURIDAD DE LOS HUMANOS Y ANIMALES.

RIESGOS PROPIOS DEL VENTILADOR

Arrastre por parte de componentes en movimiento.

Expulsión violenta de objetos.

Peligro de quemaduras por temperaturas excesivas en las superficies del ventilador.

Peligro de roturas por vibraciones excesivas.

RIESGOS DURANTE EL MANTENIMIENTO

Programe el mantenimiento para evitar que puedan producirse fallos estructurales o mecánicos con el tiempo.

El rotor podría conservar inercia durante la limpieza del motor, incluso con la corriente desconectada, y recibir un movimiento por corrientes naturales o inducidas de aire proveniente de otros equipos conectados con la misma instalación: de ello se deriva un riesgo serio de corte y/o atrapamiento. Por esta razón es necesario bloquear mecánicamente el rotor.

Queda terminantemente prohibido:

- trabajar en el ventilador mientras está en uso.
- operar en el ventilador sin haber quitado la corriente.

RUIDO

Los valores de ruido de los ventiladores se expresan en dB (A) y se recogen en este manual.

NOTA: Estos valores se detectaron en condiciones de laboratorio estándar. Se pueden detectar diferentes valores en las condiciones de las instalaciones debido a la reverberación ambiental.

PELIGROS DE NATURALEZA MECÁNICA

La instalación del ventilador, su funcionamiento y su uso conllevan riesgos mecánicos que pueden resolverse con la instalación y el uso correcto.

Las operaciones de mantenimiento deben ser realizadas en condiciones de seguridad aislando el ventilador de la fuente de alimentación de una manera determinada y no accidental, utilizando solo personal calificado, informado y capacitado.

3. TRANSPORTE, ACEPTACIÓN Y ALMACENAJE

Todos los ventiladores están embalados en cajas de madera y están fijados en pallets para facilitar su desplazamiento. El fabricante es responsable de ellos únicamente hasta el momento del cargo. El transporte tiene que llevarse a cabo de manera totalmente segura; el transportista será el responsable de asegurar la carga de manera apropiada. Utilice los medios apropiados para la manipulación según lo previsto por Órganos de gobierno en la jurisdicción de la instalación. En caso de transporte en severas condiciones ambientales (e.j. transporte con material expuesto a agentes atmosféricos, por barco o en rutas irregulares), las condiciones deben estar de acuerdo con Refresh Fans Inc. por adelantado, bajo penalización de anular la garantía del fabricante. CUIDADO: Apilar o aplicar cargas sobre los ventiladores está estrictamente prohibido.

ALMACENAJE

Se deben evitar los ambientes que contengan sustancias corrosivas, aunque sean leves, con una humedad relativa superior al 60%.

Evite exposición a agentes atmosféricos.

Evite demasiado tiempo de almacenamiento en presencia de vibraciones prolongadas.

Evite que el ventilador esté expuesto a golpes que podrían dañarlo.

4. INSTALACIÓN Y ARRANQUE

INSTALACIÓN

ATENCIÓN: queda prohibida la instalación por parte de personal no calificado, no entrenado, desinformado y sin adecuados dispositivos de seguridad.

Disponga de un espacio adecuado para realizar operaciones de ensamblaje. Defina y prohíba a personas que no son trabajadores y animales. Considere un área con un diámetro a menos de 1,5 veces el diámetro del ventilador bajo el lugar de instalación. Empiece extrayendo el ventilador de su embalaje utilizando un equipo de elevación adecuado para el peso y tamaño del ventilador, cogiéndolo por el punto de elevación adecuado, utilizando líneas de capacidad, longitud y cantidad adecuadas, distribuyendo la carga de manera uniforme.

No levante el ventilador utilizando el eje del motor.

El peso de cada ventilador individual se indica a continuación.

Compruebe que el rotor no haya sufrido golpes o deformaciones durante el desplazamiento, que esté bien fijado a su eje de rotación, que gire libremente sobre su propio eje y que ningún cuerpo extraño interfiera con el rotor mismo.

El usuario tiene que ejecutar una superficie de apoyo apropiada a las dimensiones y al peso del ventilador, bien nivelado para evitar deformaciones que podrían menguar la estructura del ventilador.

En el caso de que se instale sobre estructuras de acero, es indispensable que la frecuencia natural mínima de dichas estructuras sea mayor de un 50% de la velocidad del ventilador.

La altura mínima desde el suelo y la distancia desde la pasarela, el entresuelo o cualquier otra estructura atravesada por personas o animales no debe ser inferior a 10ft (3.05m).

Fije firmemente el ventilador insertando los tornillos con el diámetro adecuado y ajustados correctamente (tornillos galvanizados clase 4.8 y 8.8) en todos los orificios de fijación provistos.

Durante la instalación, es necesario delimitar y prohibir a las personas y animales en el área en un diámetro inferior a 1,5 veces el diámetro del ventilador.

Conecte siempre el cable de seguridad y los cables del estabilizador como se indica.

ATENCIÓN: Es obligatorio que el instalador lleve a cabo la conexión eléctrica y el montaje del ventilador de conformidad con las normas vigentes en el lugar de instalación.

CONEXIÓN ELÉCTRICA

ATENCIÓN: la conexión eléctrica debe ser realizada por personal cualificado, entrenado e informado y con adecuados dispositivos de seguridad.

Controle que los datos de la tensión eléctrica que se recogen en la placa del motor correspondan a los datos en la línea acometida. Para la conexión del motor haga referencia al esquema que se incluye en este manual.

El usuario tiene que conectar eléctricamente a tierra el ventilador: una puesta a tierra correcta del motor y de la máquina controlada evita tensiones y corrientes parásitas en los rodamientos.

Elija el sistema de protección y los cables de alimentación (la caída de tensión durante la fase de arranque tiene que ser inferior a un 3%) en función de las características que se indican en la placa del motor.

ATENCIÓN: Es necesario colocar un interruptor de seguridad de desconexión ON/OFF adyacente al ventilador, para permitir que el personal de mantenimiento tenga el control directo sobre la fuente de alimentación del ventilador. Este accesorio puede ser suministrado a pedido.

ARRANQUE

ATENCIÓN: Este procedimiento debe ser realizado por parte de personal calificado, entrenado e informado y con adecuados dispositivos de seguridad.

****Nota importante sobre la operación ****

El motor puede perder la sincronización si todas las aspas del ventilador no están conectadas al cubo del motor. Consulte página 42 para obtener más detalles sobre el código de alarma / estado de LED / solución de problemas.

OPERACIONES A EJECUTAR ANTES DEL ARRANQUE

- Compruebe el ajuste de todos los tornillos y tuercas:

PAR DE TORSIÓN RECOMENDADO PARA PERNOS DE ACERO MÉTRICO DE ROSCA GRUESA TE-TCEI GRADO 8.8

Tamaño	Nm
M6	9,5
M8	23
M10	46
M12	79
M14	127
M16	198

Tabla 1 Utilice los valores que se muestran en la tabla para apretar todos los tornillos suministrados.

- Compruebe que el ventilador gire libremente girándolo a mano.
- Compruebe que el ventilador se conecta a los paneles de control y/o a las interfaces.
- Compruebe la conexión del ventilador al circuito de tierra de protección del sistema, y las efectivas conexiones de todas las partes antes de encender la máquina.
- Tome nota de la deseada dirección de la rotación.

OPERACIONES A EJECUTAR TRAS LA PUESTA EN MARCHA

Compruebe que el sentido de rotación sea conforme al indicado por la fecha.

Compruebe que la corriente absorbida no supere la indicada en la etiqueta de identificación del producto y/o la placa del motor. NOTA: Para tener un dato atendible, considere un tiempo de estabilización razonable (3 horas a 18°C).

Controle las temperaturas de los rodamientos después de las primeras 24/36 horas de funcionamiento, y que el rango de operación de los rodamientos sea el mismo que el motor.

Verifique que las vibraciones no sean excesivas. La alerta valorada a considerar es 12.7mm/sec (valor pico) - 9mm/sec (RMS), medido en el soporte de fijación, fijado rígidamente al soporte, adecuadamente dimensionada como se describe en los pasos previos.

5. MANTENIMIENTO Y LIMPIEZA

ATENCIÓN: Este procedimiento debe ser realizado por parte de personal calificado, entrenado e informado y con adecuados dispositivos de seguridad.

Los ventiladores son máquinas relativamente sencillas de mantener, pero requieren revisiones regulares que tienen el propósito de conservar la eficiencia de todos los componentes y prevenir daños que comprometerían la integridad de las personas. La frecuencia de mantenimiento ordinario dependerá de las condiciones de funcionamiento reales. Se recomienda, en condiciones ideales de funcionamiento y en servicio continuado, una intervención de mantenimiento cada 2200 horas.

La limpieza de las aspas debe ser precisa, para no crear desequilibrios debido a los residuos de suciedad.

Limpie el polvo que se deposita en el motor eléctrico, preservando así la capacidad de disipación de calor durante la operación.

Los motores que utilizamos prevén rodamientos estancos autolubricantes de por vida, por lo que no requiere lubricación. La duración depende de las condiciones efectivas de funcionamiento (número de arranques, etc.) y de las condiciones medioambientales de empleo (temperatura, presencia de polvo, etc.) Nuestros ventiladores tienen el tamaño oportuno para garantizar al menos 50.000 horas de funcionamiento en servicio continuo, en entornos a condiciones ideales.

Compruebe la integridad y el apriete de los tornillos (galvanizado, métrico, paso basto, clase 4.8 y 8.8).

En caso de oxidación reemplace con piezas de repuesto que tengan las mismas características.

Asegúrese, antes de arrancar, de que no hayan quedado cuerpos extraños metálicos dentro del cuerpo del ventilador. Repita las operaciones previstas antes y después del arranque (capítulo 4. INSTALACIÓN)

6. PARADA

ATENCIÓN: Este procedimiento debe ser realizado por parte de personal calificado, entrenado e informado y con adecuados dispositivos de seguridad..

PUESTA EN CONDICIONES DE SEGURIDAD

- Asegúrese de que haya iluminación adecuada en el área alrededor de la máquina.
- Asegúrese de que la máquina esté conectada por todas las alimentaciones eléctricas.
- Asegúrese de que todos los órganos en movimiento estén completamente parados.
- Espere a que la temperatura interior y exterior de la máquina haya alcanzado un valor no peligroso al tacto.
- Bloquee mecánicamente todos los componentes móviles.

7. DESMONTAJE

ATENCIÓN: Este procedimiento debe ser realizado por parte de personal calificado, entrenado e informado y con adecuados dispositivos de seguridad.

Proceda con las operaciones de montaje (incluidas en las fichas técnicas) en la dirección opuesta, implementando todos los procedimientos de seguridad descritos en el capítulo 5. INSTALACIÓN.

8. DESGUACE

En el momento en que el ventilador termina su ciclo de vida, el usuario final o quien se ocupa del mismo tiene que encargarse de su desguace. Es necesario ejecutar algunas operaciones importantes al realizar dicha operación:

- la separación de los componentes eléctricos de los mecánicos;
- la separación de los materiales, por ej. plástico, acero, cobre, etc.

Arrojar materiales al medioambiente o a sitios no autorizados es un delito penal, procesado por las autoridades competentes.

9. ERRORES DE FUNCIONAMIENTO

No olvide que en el caso de que Refresh Fans. Inc no funcione como debe, puede deberse a más de una causa. Es preciso buscarlas todas y eliminarlas sistemáticamente.

ANOMALÍA	POSIBLE CAUSA	SOLUCION
Arranque dificultoso	Cierre mecánico	- Después de apagar la fuente de alimentación eléctrica, compruebe manualmente que el impulsor gire libremente
	Falta de fuente de alimentación	-Compruebe el estado del dispositivo de protección de la fuente de alimentación -Compruebe la correcta conexión del motor a la red eléctrica
	Protección térmica	- La intervención de la protección térmica impide el reinicio del ventilador. La causa debe ser eliminada. Disminuir la carga.
	Ajustes de parámetros del motor	- En el caso de que se controle el ventilador via MODBUS, compruebe el registro/ parámetros
Ruido anormal	La causa es mecánica si el ruido persiste aun después que la fuente de energía haya sido apagada	- El ruido mecánico puede estar causado por las vibraciones de desequilibrio y/o por daños a los rodamientos. En ambos casos, es necesario ponerse en contacto con personal calificado para reparar o reemplazar las piezas correctamente.
	La causa es eléctrica si el ruido desaparece despues que la fuente de alimentación sea apagada	- Compruebe la correcta conexión y ajuste de los cables de alimentación. - Si la interfaz MODBUS esta presente, compruebe los parametros del motor
Temperatura anormal del motor	Temperatura ambiente incompatible	- Compare la temperatura ambiente con la temperatura máxima permitida, incluída la ficha técnica
	Parametrización del motor Modbus	- Compruebe que los parámetros del motor MODBUS estén correctamente establecidos.
	Fuente de alimentación	- Compruebe si hay caídas de tensión y / o defectos en la línea de suministro

10. CARACTERÍSTICAS TÉCNICAS, INSTALACIÓN Y OPERACIONES

10.1 MODELO

Ventilador de techo con motor brushless EC de alta eficiencia diseñado para usos civiles, industriales, agrícolas y zootécnicos donde es necesario un elevado caudal de aire a una velocidad de rotación reducida.

10.2 CARACTERÍSTICAS PRINCIPALES

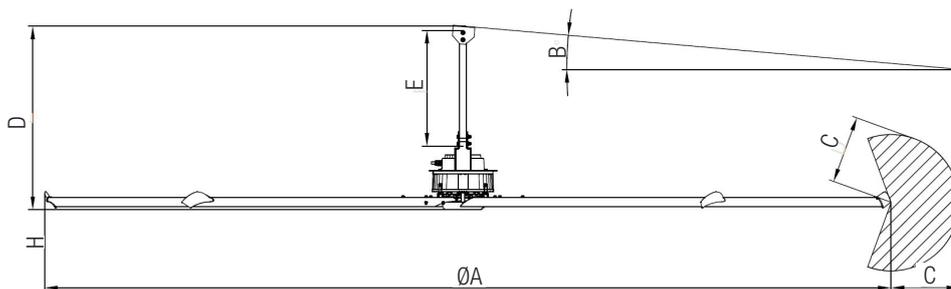
- Motor brushless 200-480Vac, 3ph, 50/60Hz, IP65.
- Máx. Temperatura +50°C.
- Velocidad controlable.
- Adecuado para servicio continuo S1.
- Sistema integrado.
- Aspas extruidas de aluminio anodizado.
- Sin engranajes para operaciones silenciosas.
- Ningún mantenimiento ordinario.
- Varios niveles de seguridad.
- Conexión de cableado eléctrico simplificado.
- Estructura resistente y robusta.

10.3 DATOS @240V, 60Hz alimentación, máxima velocidad

MODELO	Diámetro (A)	Tamaño mínimo del circuito	Peso	Despeje aspas de los lados (C)	Velocidad máx.	Diámetro considerado	Ruido a la máx velocidad ⁽¹⁾
	ft (m)		lb (kg)	ft (m)	RPM	ft (m)	dB(A)
EQ10-200480-3	10 (3.1)	10A@200-240V, 3Φ 10A@400-480V, 3Φ	176 (80)	1.2 (0.35)	130	45 (14)	55
EQ12-200480-3	12 (3.7)		194 (88)	1.5 (0.45)	85	52 (16)	52
EQ14-200480-3	14 (4.3)		220 (100)	1.5 (0.45)	80	56 (17)	55
EQ16-200480-3	16 (4.9)		234 (106)	1.8 (0.55)	70	75 (23)	56
EQ18-200480-3	18 (5.5)		249 (113)	1.8 (0.55)	63	98 (30)	49
EQ20-200480-3	20 (6.1)		260 (118)	1.8 (0.55)	55	102 (31)	50
EQ24-200480-3	24 (7.3)		282 (128)	1.8 (0.55)	51	234 (71)	55

(1) Pruebas de sonido tomadas con el sensor a 1,5m sobre el suelo y 6m desde el centro del ventilador a 5m de altura, medidos en un entorno de laboratorio. Los resultados reales en condiciones de campo pueden variar debido a las superficies que reflejan el sonido y las condiciones ambientales.

10.4 MEDIDAS



MODELO	ØA diámetro del ventilador	B máx. inclinación del techo	C mín. distancia de seguridad de obstáculos	D altura del vent. con 800mm tubo	E longitud del tubo	H mín. altura de instalación
	in. (mm)	°	in. (mm)	in. (mm)	in. (mm)	in. (mm)
EQ10-200480-3	120 (3050)	15	14 (350)	49 (1250)	32 (800)	120 (3050)
EQ12-200480-3	144 (3650)	15	18 (450)	49 (1250)	32 (800)	120 (3050)
EQ14-200480-3	168 (4250)	15	18 (450)	50 (1270)	32 (800)	120 (3050)
EQ16-200480-3	192 (4850)	15	22 (550)	50 (1270)	32 (800)	120 (3050)
EQ18-200480-3	216 (5450)	15	22 (550)	51 (1304)	32 (800)	120 (3050)
EQ20-200480-3	240 (6050)	15	22 (550)	51 (1304)	32 (800)	120 (3050)
EQ24-200480-3	288 (7300)	15	22 (550)	51 (1304)	32 (800)	120 (3050)

10.5 COMPONENTES

El ventilador se entrega en dos kits:

El KIT MOTOR incluye:

- Cuerpo principal (Fig.I - 1).
 - Tubo de extensión de 800mm (Fig.I - 2).
 - 2x placas de fijación al techo (Fig.I y VI- 3).
 - 2 set de fijación:
 - 4x tornillos M12 (Fig.I - 4), 4x tuerca autobloqueante (Fig.I - 5), 4x arandela estándar (Fig.I - 6), 4x arandela de taza (Fig.I - 7), para la fijación al techo.
 - 10x tornillo con brida M8 (Fig.VIII - 8), 10x tuerca autobloqueante (Fig.VIII - 9), 10x arandela de taza (Fig.VIII - 10), para la fijación de las aspas al cuerpo principal.
 - Set componentes de plástico: tapa inferior (Fig.IX - 11), 5x tornillo M4 (Fig.IX - 12), 5x terminal aspas (Fig.VIII - 13) y 10x tornillos (Fig.VIII - 14).
 - Cables eléctricos con conectores (Fig.III - 15).
 - Set cables de seguridad: 1x cable Ø5mm con anillo (Fig.I y II - 16), 2x cable Ø5mm con dos anillos (Fig.II - 17), 2x abrazadera (Fig.VII - 18), 2x mosquetón 7 mm (Fig.II y V - 19), 1x grilletes (Fig.II - 20) para los cables de seguridad. 4x cable Ø3 mm con tensor (Fig.X - 21), 5x mosquetón 5 mm (Fig.X y XI - 22) y 8x abrazadera (Fig.XIII - 23) para cables de estabilización.
- El KIT ASPAS incluye 5 aspas (Fig.VIII - 24).

10.6 ATENCIÓN: PRECAUCIONES ESPECIALES

“ADVERTENCIA: PARA REDUCIR EL RIESGO DE INCENDIO, DESCARGA ELÉCTRICA O LESIÓN A LAS PERSONAS, OBSERVE LO SIGUIENTE”:

- Los trabajos de instalación y el cableado eléctrico deben ser realizados por personas calificadas de acuerdo con todos los códigos y normas aplicables, incluidas las construcciones con clasificación contra incendios.
- “Al cortar o perforar paredes o techos, no dañe el cableado eléctrico ni otras instalaciones ocultas”.
- “Para reducir el riesgo de lesiones personales, no doble los soportes de las cuchillas cuando instale los soportes, equilibre las cuchillas o limpie el ventilador. “No inserte objetos extraños entre las aspas giratorias del ventilador”.
- Asegúrese de que la alimentación esté apagada antes de intentar la instalación
- Después de hacer las conexiones de los cables, los cables deben separarse con el conductor conectado a tierra, y el conductor de conexión a tierra del equipo en un lado de la caja de salida y el conductor sin conexión a tierra en el otro lado de la caja de salida.

El instalador y el propietario de la estructura son responsables de la correcta instalación en condiciones de seguridad del ventilador, según las normas locales vigentes:

- Controlar anualmente la fijación y volver a ajustar las tuercas y los tornillos si es necesario (ver tabla 1).
- El producto no debe funcionar en condiciones de viento elevado (6m/s) y/o en entornos donde haya viento frecuente.
- Asegurarse que la estructura sobre la cual se monta el ventilador sea capaz de sostener una carga por lo menos el doble de la del ventilador y un par máximo de por lo menos 350 Nm. Consultar con un experto para la correcta evaluación antes de realizar la compra.
- Asegurarse que todos los dispositivos de seguridad previstos para el producto se empleen para prevenir cualquier situación de peligro y para proteger a las personas, los animales, los equipos y la estructura.

******Nota importante sobre la operación ******

El motor puede perder la sincronización si todas las aspas del ventilador no están conectadas al cubo del motor. Consulte página 42 para obtener más detalles sobre el código de alarma / estado de LED / solución de problemas.

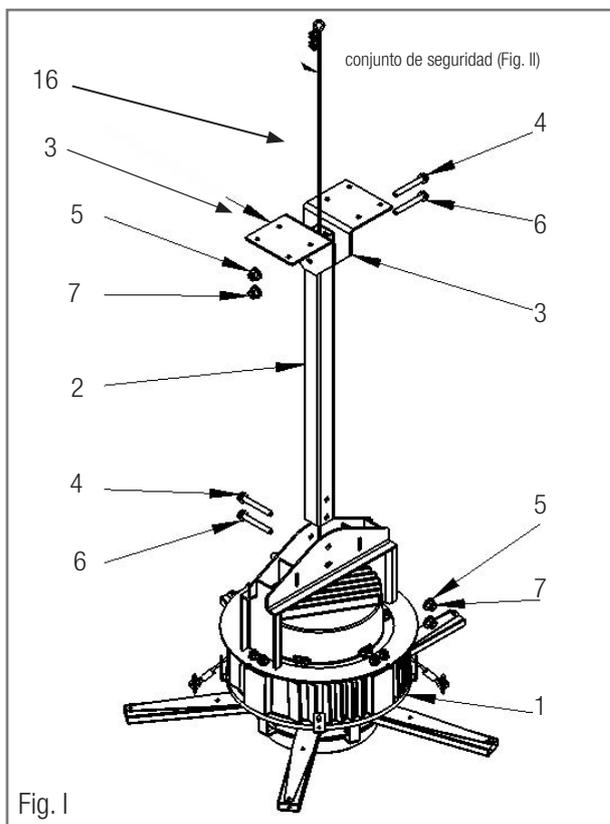
10.7 INSTALACIÓN

- Elegir la posición de instalación del ventilador teniendo en cuenta las siguientes consideraciones:
 - la distancia mínima entre el suelo y el punto inferior del ventilador debe ser de 10ft (3.05m - letra H del plano). A pedido se dispone de tubos de longitud diferente con respecto al estándar.
 - la mínima distancia entre las aspas y la pared o cualquier otro obstáculo varía en base al modelo elegido (letra C del plano).
 - si es posible, evitar directamente debajo la instalación de una fuente de luz a fin de evitar un efecto estroboscópico causado por el giro del rotor.
 - en caso de instalación con rociadores, el ventilador no debe interferir con su funcionamiento.
 - el ventilador no debe colocarse cerca de los puntos de entrada o salida del aire que pertenezcan a otros equipos, ya que



podrían afectar las prestaciones del ventilador, la calidad interior del aire y el confort de los ocupantes:

- los puntos de introducción del aire deberían descargar lejos del ventilador
- los puntos de salida del aire que pudiesen crear succión deben situarse a una distancia igual a 1,5 veces el diámetro del ventilador
- durante el montaje, marcar sobre el suelo un círculo segmentado para advertir a las personas presentes en la estructura la posición del ventilador.



- Montar el set de seguridad empleando el cable Ø5mm con un anillo (16), el grillete (20), el cable Ø5mm con dos anillos (17) y los mosquetones de 7mm (19).
- Introducir el cable Ø5 mm (16) y los cables eléctricos (15) en el tubo (2). Fijar el tubo al cuerpo principal (1) y a las placas de fijación (3) utilizando los tornillos M12 (4), las arandelas (6), las arandelas de taza (7) y las tuercas autobloqueantes M12 (5). Conectar las clavijas (Fig.III) a las tomas del motor.

Fig. I

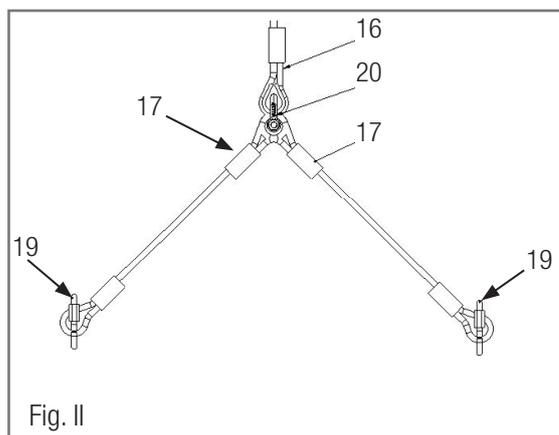


Fig. II

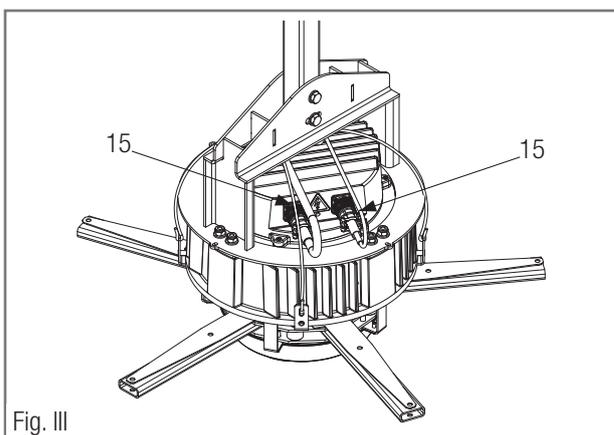


Fig. III

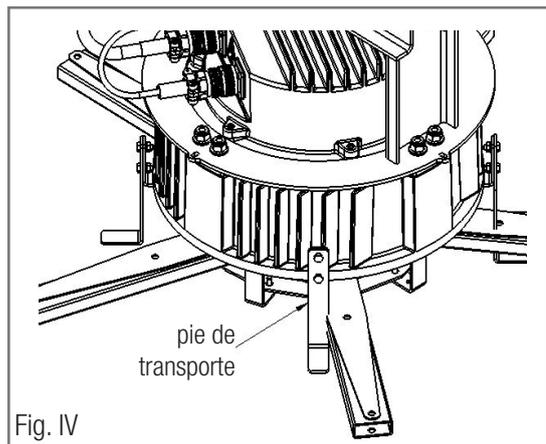


Fig. IV

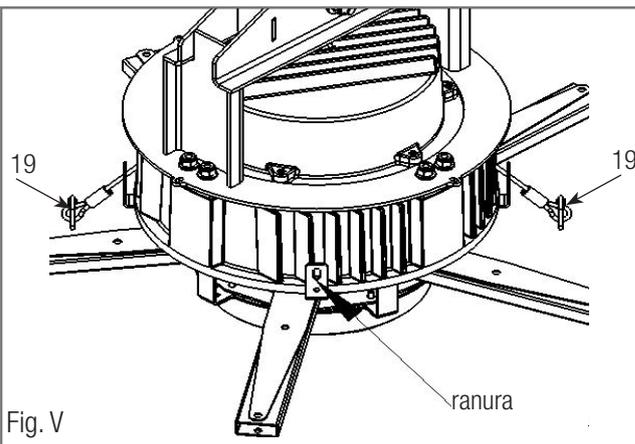


Fig. V

- Quitar del cuerpo principal las cuatro patas para el transporte aflojando los tornillos, y enganchar los mosquetones (19) en dos de las ranuras formadas (dejando uno libre entre las dos enganchadas).

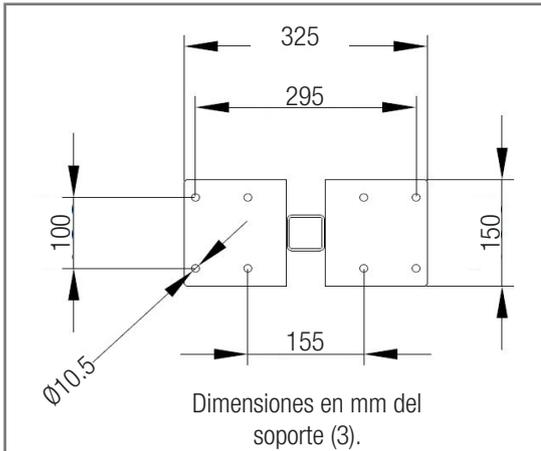


Fig. VI

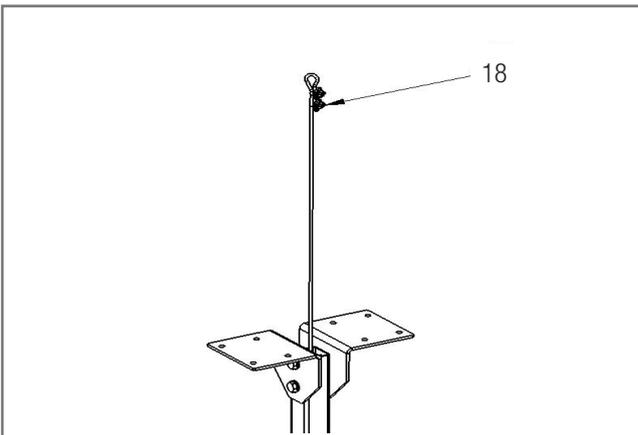


Fig. VII

- Fijar el conjunto al techo/viga aprovechando los ocho agujeros de la placa de fijación (3) y conectar el cable de seguridad al techo/viga empleando las abrazaderas (18). La tornillería de fijación no se suministra.

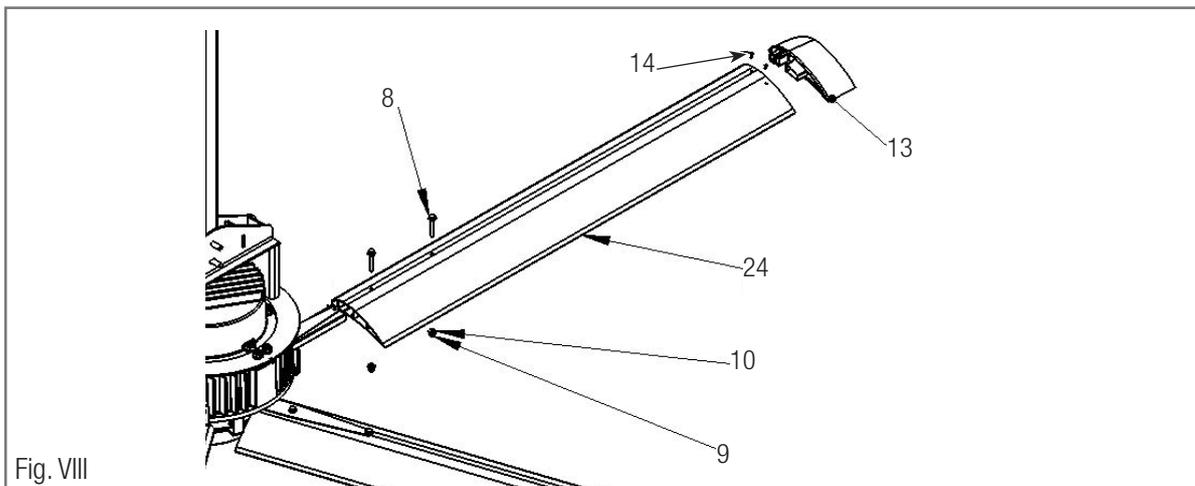


Fig. VIII

- Introducir el aspa (24) en el tubo del cubo, fijarla con los tornillos con brida M8 (8), las arandelas de taza (10) y los autobloqueantes M8 (9). Apretar los tornillos haciendo referencia a la tabla 1. Montar los terminales de plástico (13) utilizando los tornillos (14).

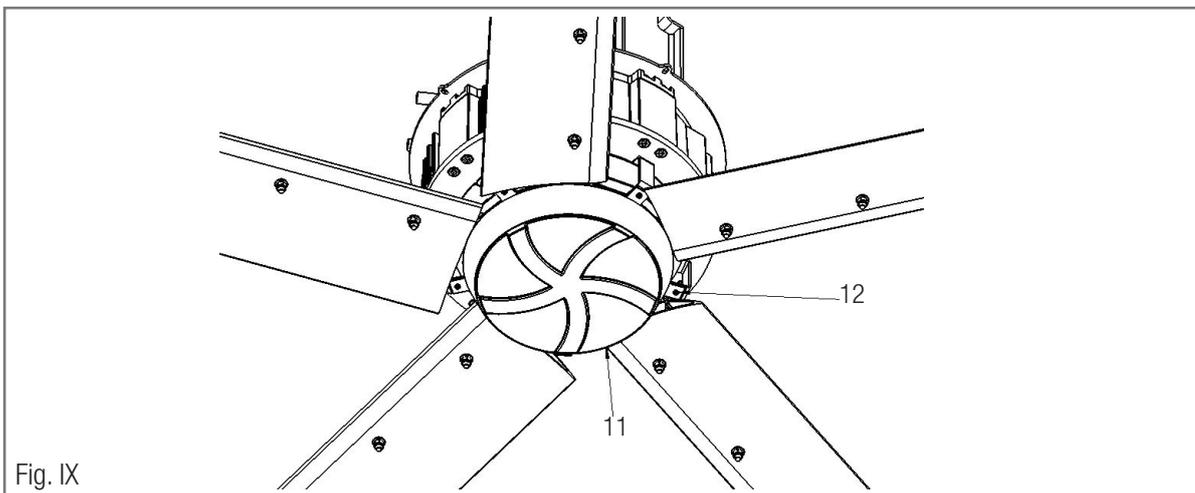
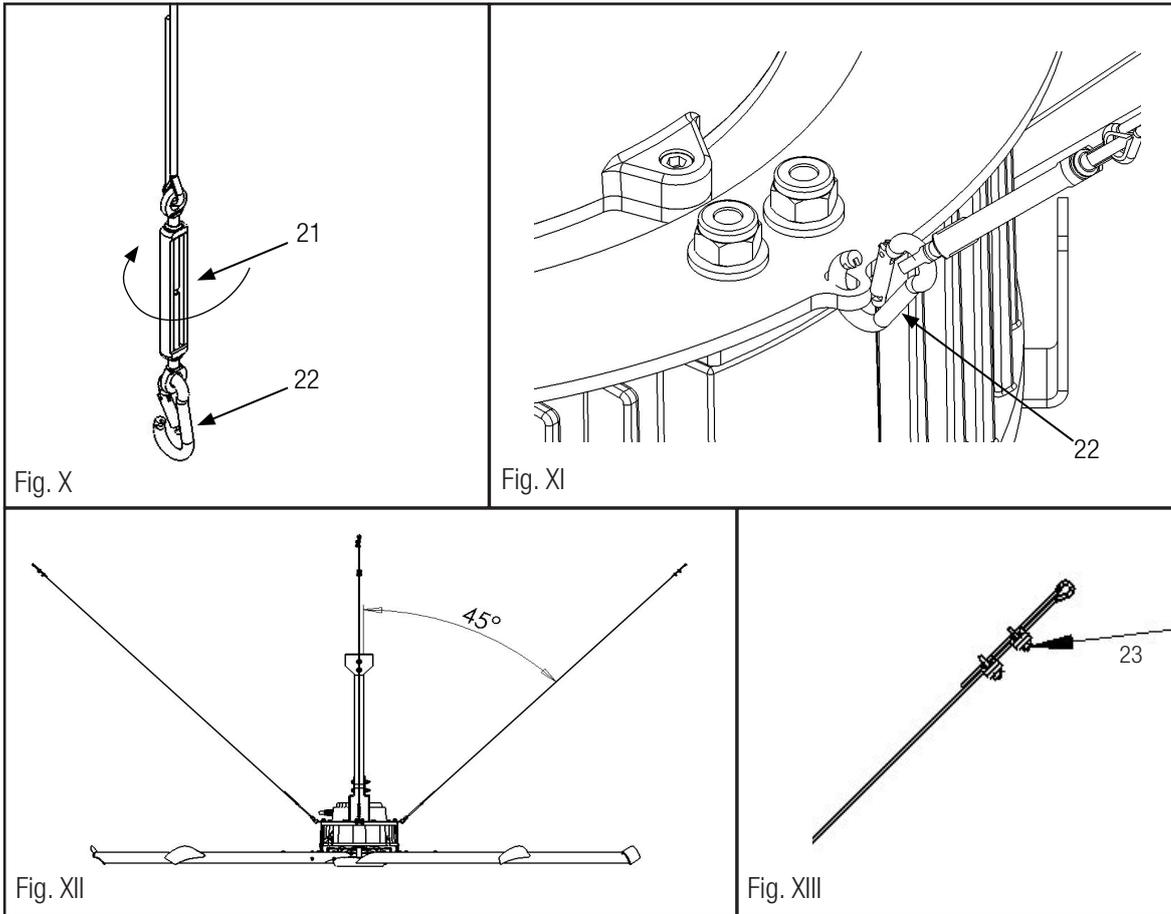


Fig. IX

- Montar los terminales de plástico (11) debajo del cubo utilizando los tornillos M4 (12). Si la máquina se limpia, perforar la tapa para que el agua pueda fluir.

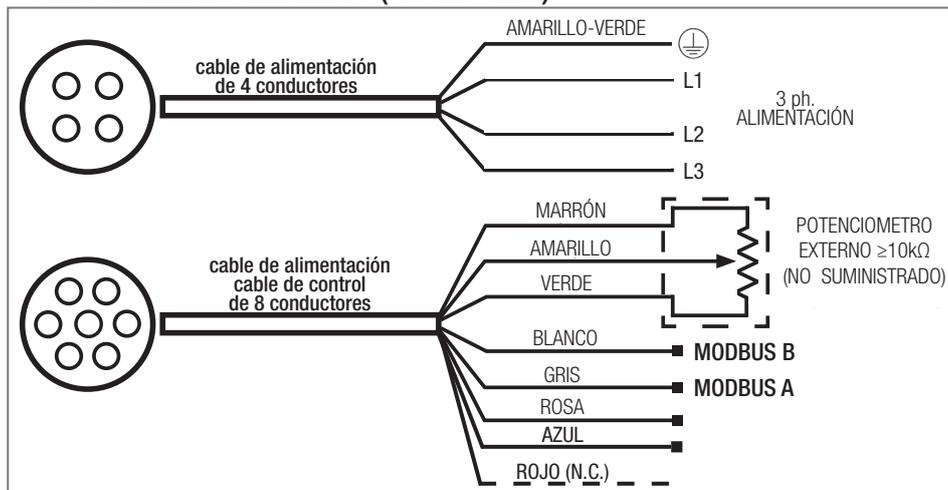


- Conectar los cuatro cables Ø3mm con tensor (21) al soporte motor con los mosquetones de 5mm (22) y estabilizar el ventilador. Fijar al otro lado los cables al techo y ajustar con las abrazaderas (23). La tornillería de fijación no se suministra.
- Utilizando un nivel de burbuja a lo largo del tubo, ajustar los tensores a mano en un patrón entrecruzado (como se muestra en la figura X) y comprobar periódicamente que la máquina trabaje en la posición correcta.

10.8 DIAGRAMAS DE CONEXIÓN

- ¡Asegurarse que la máquina no sea alimentada durante las operaciones de instalación, mantenimiento o servicio!
- La instalación y el mantenimiento de la máquina debe realizarlas un instalador autorizado y de acuerdo con las reglas locales.
- El ventilador debe conectarse a tierra.

POTENCIÓMETRO EXTERNO (ACCESORIO)



ATENCIÓN: independientemente del sistema de control en lugar (potenciómetro o Modbus), es muy recomendable conectar la línea de comunicación Modbus y hacerla accesible desde el nivel del suelo, para facilitar la resolución de problemas a través de Modbus en cualquier momento después de la instalación.

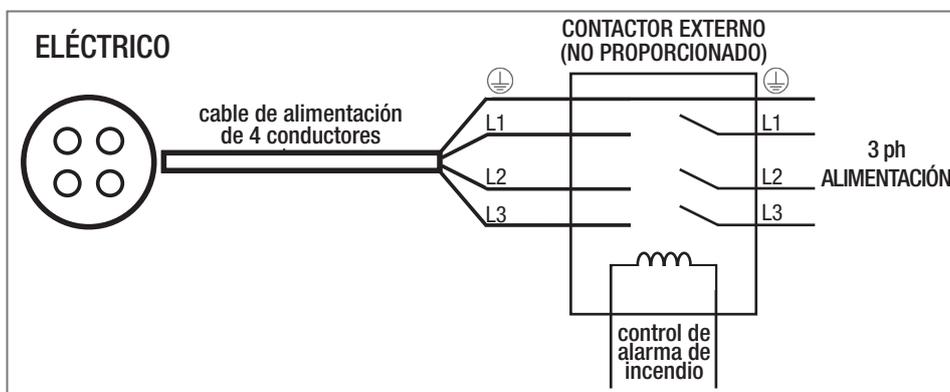
10.9 CONEXIÓN AL FUEGO

Diámetro máximo permitido del ventilador de 24 pies.

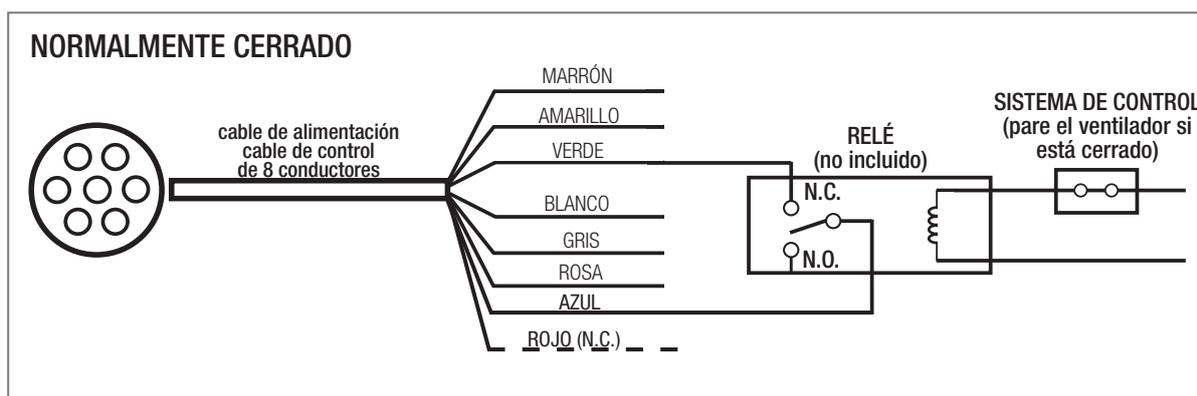
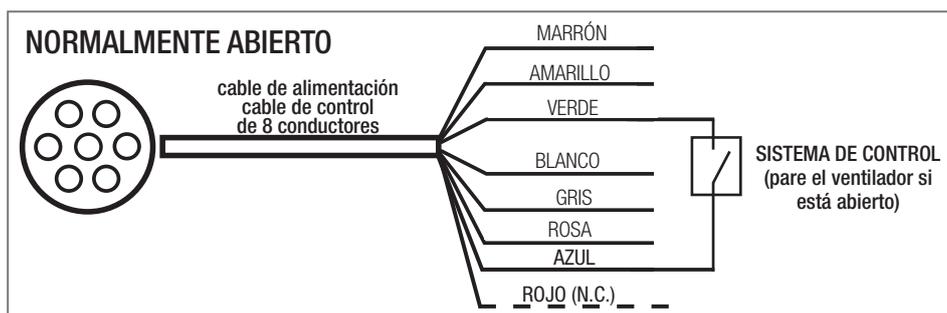
Los ventiladores deben estar aproximadamente centrados entre cuatro rociadores adyacentes.

Debe haber un espacio libre mínimo de 3 pies desde el deflector del aspersor hasta el ventilador.

Los ventiladores deben estar enclavados para apagarse inmediatamente después de recibir una señal de flujo de agua del sistema de alarma contra incendios.

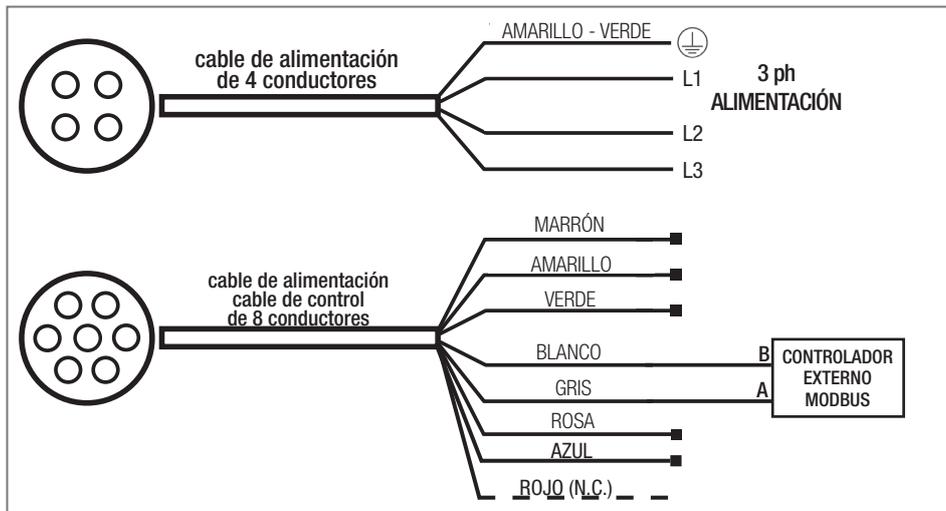


Si la función RUN INPUT está habilitada (ver más abajo - Registro de retención ModBus 44), la unidad funciona solo cuando el cable azul está conectado al verde.



Dirección de Registro	Descripción	Dimensiones (Word)	Tipo de Datos	U.M. (datos en el registros)	Ejemplo Valor de registro → Valor real
44	Función RUN INPUT	1	ushort	-	0 → RUN INPUT deshabilitado (predeterminado) - 1 → RUN INPUT habilitado

10.10 CONEXIÓN DE CONTROL MODBUS



10.11 LIMPIEZA

La unidad (IP65) se puede lavar con chorros de agua.

10.12 SOLUCIÓN DE PROBLEMAS (ModBus)

Parámetros de conexión

Protocolo	MODBUS/RTU encima RS485
Baud Rate (bps)	9600
Bits de Datos	8
Paridad	nada
Bits de Parada	2
HVLS dirección de Slave	1

Registro Modbus - Registro de entrada

Estos son registros solo de lectura, y pueden ser leídos utilizando la función 04 READ INPUT REGISTERS.

Dirección de Registro	Descripción	Dimensiones (Word)	Tipo de Datos	U.M. (datos en el registros)	Ejemplo Valor de registro → Valor real
3	Velocidad medida	1	ushort	0.1rpm	490 → 49rpm
10	Alarma 1	1	ushort	-	Ver tabla siguiente
17	Alarma 2	1	ushort	-	Ver tabla siguiente
33	Contador de minutos	1	ushort	Minutos	23 → 23 Minutos Comience a contar cuando Motoinverter esté encendido. Mantiene el tiempo total de operación
34	Contador de horas	1	ushort	Horas	1234 → 1234 Horas Comience a contar cuando Motoinverter esté encendido. Mantiene el tiempo total de operación

Códigos de Alarma/ Estado LED / Solución de Problemas

VALOR ALARMA 1	VALOR ALARMA 2	Parpadeo de LED (duración aprox. de un solo parpadeo)	DESCRIPCIÓN DE ALARMA CAUSAS POSIBLES	SOLUCIÓN DE PROBLEMAS
0	0	1 Parpadeo/2seg. (1s)	No error	-
1	0	1 Parpadeo/s (0.5s)	Error de memoria – Parámetros del motor perdidos	Contacte el fabricante/soporte técnico
2	0	2 Parpadeo/s (0.25s)	Cortocircuito - módulo de potencia electrónica dañado	Tarjeta electrónica dañada Contacte el fabricante/soporte técnico
3	0	3 Parpadeo/s (0.17s)	Pérdida de sincronización del motor Parámetros del motor incorrectos o electrónica dañada	Revisar los bobinados del motor. Si están bien (los 3 tienen la misma resistencia), contacte el fabricante/soporte técnico. Si están dañados (circuito abierto/cortocircuito) reemplace el motor.
4	1	5 Parpadeo/s (0.1s)	Tensión de alimentación fuera de rango 135÷550Vac (voltaje de bus DC 190÷780V) sólo con motor parado, sin funcionar.	Compruebe voltaje de la fuente de alimentación Compruebe cableado de la fuente de alimentación
4	32	5 Parpadeo/s	Tensión de alimentación arriba 565Vac, (voltaje de bus DC superior a 800V) mientras el motor funciona (valor instantáneo)	Compruebe voltaje de la fuente de alimentación Compruebe cableado de la fuente de alimentación
4	33	5 Parpadeo/s	Tensión de alimentación bajo 107Vac (voltaje de bus DC por debajo de 150V) mientras el motor funciona (valor instantáneo)	Compruebe voltaje de la fuente de alimentación Compruebe cableado de la fuente de alimentación
4	34	5 Parpadeo/s	"El reinicio sobre la marcha" falló	La unidad no impulsa el impulsor: retire y restablezca la alimentación / vuelva a intentarlo.
4	49	4 Parpadeo/s (0.13s)	Falta la tensión de la fase U / desconectado (o parámetros erróneos del motor)	Compruebe la fuente de alimentación / cableado. Si el cableado es correcto, póngase en contacto con el fabricante / soporte técnico
4	50	4 Parpadeo/s	Falta la tensión de la fase V / desconectado (o parámetros erróneos del motor)	Compruebe la fuente de alimentación / cableado. Si el cableado es correcto, póngase en contacto con el fabricante / soporte técnico
4	51	4 Parpadeo/s	Falta la tensión de la fase W / desconectado (o parámetros erróneos del motor)	Compruebe la fuente de alimentación / cableado. Si el cableado es correcto, póngase en contacto con el fabricante / soporte técnico
4	113	6 Parpadeo/s (0.08s)	Temperaturas electrónicas superior a 85°C	Compruebe si la temperatura de funcionamiento es superior a la temperatura máxima de funcionamiento nominal. Revise la carga mecánica para detectar anomalías (por ejemplo, giros difíciles)
4	114	7 Parpadeo/s (0.07s)	Temperatura del bobinado del motor superior a 125 ° C.	Compruebe si la temperatura de funcionamiento es superior a la temperatura máxima de funcionamiento nominal. Revise la carga mecánica para detectar anomalías (por ejemplo, giros difíciles)
4	115	no Parpadeo	Cortocircuito en la sonda de temperatura del motor Pt100	Compruebe el cableado de la sonda de temperatura - detecta la manumisión de la sonda de temperatura

Para obtener más información sobre el control ModBus por HVLS, póngase en contacto con el fabricante / soporte técnico.

10.13 DECLARACIÓN DE CONFORMIDAD / INCORPORACIÓN

DECLARACIÓN DE CONFORMIDAD/INCORPORACIÓN CE

La empresa:

REFRESH FANS Inc.

200 West Beaver Creek Road, Unit 15, Richmond Hill, ON - L4B 1C7, Canada

DECLARACIÓN DE CONFORMIDAD



Declaramos bajo su responsabilidad, que el producto

Ventiladores HVLS de la gama Refresh Fans RF

sobre la base de su desarrollo y construcción como cuasi-máquina presente en el mercado, se han desarrollado de acuerdo con los requisitos de salud y seguridad de las siguientes directivas:

2014/35/UE - Directiva Baja Tensión (LVD)
2014/30/UE - Compatibilidad Electromagnética (EMC)
2009/125/EC - Diseño ecológico aplicable a los productos relacionados con la energía (ErP)

En caso de alteraciones de los productos sin el consentimiento del fabricante, la validez de esta declaración caducará.

Esta declaración de conformidad se publica bajo la exclusiva responsabilidad del fabricante.

DECLARACIÓN DE INCORPORACIÓN

En accord avec la Directive Machine 2006/42/EC.

Declaramos bajo su responsabilidad, que el producto

Ventiladores HVLS de la gama Refresh Fans RF

sobre la base de su desarrollo y construcción como cuasi-máquina en el mercado, se han desarrollado de acuerdo con los requisitos esenciales de salud y seguridad (EHSRs) del Apéndice 1, sección 1.1.2 (integración de seguridad), 1.1.5 (manipulación), 1.4.1 (dispositivos protectores), 1.5.1 electricidad de la Directiva de Máquinas 2006/42/CE.

La máquina está incompleta y no debe ponerse en servicio hasta que se integre en una máquina que haya sido evaluada y declarada de acuerdo con los requisitos de la Directiva de Máquinas 2006/42/CE.

Nos esforzamos por transmitir, tras una solicitud motivada de las autoridades nacionales pertinentes, la información pertinente relativa a las cuasi-máquinas citadas-.

Richmond Hill, 01/03/2019

 Paul Reeves
 Directeur Général



 Canada: Refresh Fans Inc.- 200 West Beaver Creek Road, Unit 15, Richmond Hill, ON- L4B 1C7.
 USA: Refresh Fans Inc.- 6601 Lyons Road, Unit H-3, Coconut Creek, FL- 33073.

During the installation, it is recommended to write the serial number of the unit in this manual.
Lors de l'installation, il est recommandé d'annoter le numéro de série de l'appareil dans ce manuel.
Durante la instalación, se recomienda escribir el número de serie de la unidad en este manual.

SERIAL NUMBER/NUMÉRO DE SÉRIE/NÚMERO DE SÉRIE:



REFRESH[®]

F a n s inc.

Efficient. Effective. Essential.

We reserve the right to modify/make improvements to products and/or this instruction manual at any time and without prior notice.

Nous nous réservons le droit de modifier / apporter des améliorations aux produits et / ou à ce manuel d'instructions à tout moment et sans préavis.

Nos reservamos el derecho de modificar/realizar mejoras en los productos y/o este manual de instrucciones en cualquier momento y sin previo aviso.

Canada: Refresh Fans Inc. - 200 West Beaver Creek Road, Unit 15, Richmond Hill, ON - L4B 1C7
USA: Refresh Fans Inc. - 6601 Lyons Road, Unit H-3, Coconut Creek, FL - 33073

www.refreshfans.com

004313 - 04 - 1020